**Description:**

Decorative wall lamp consisting of an opal glass sphere and metal components finished in matte brass or matte black. Available in two versions: diffused light (1L), or diffused light and adjustable beam for reading (2L).

Materials:

Glass and metal.

Certifications:

IP20

230V

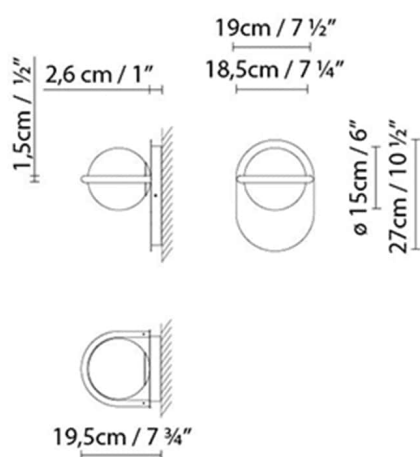
Finishes:

Black (matte)



Brass

C_BALL W1L

**Light source:**

LED **A+** LED 6W (E14)

A Fluo. max. 12W (E14)

C Halo. max. 46W (E14)

Weight :

Net kg.: 2.4

Gross kg: 2.8

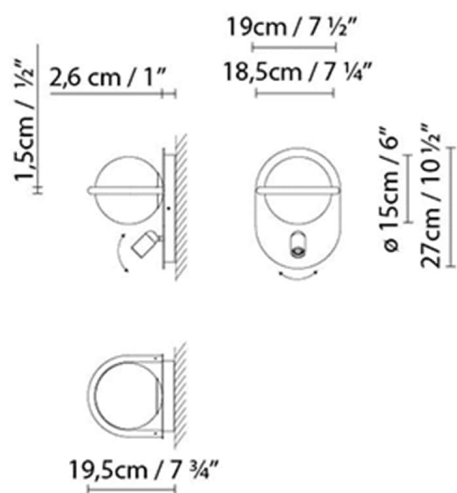
Packaging:

N. packages: 1

Volume m3: 0.014

Dimensions cm: 34x21x21.5

C BALL W2L

**Light source:**

LED **A+** LED 6W (E14) + LED 4,5W 546lm
250mA 3000K CRI80

LED **A+** Fluo. max. 12W (E14) + LED 4,5W
546lm 250mA 3000K CRI80

LED **A+** Halo. 46W (E14) + LED 4,5W 546lm
250mA 3000K CRI80

Weight :

Net kg.: 2.5

Gross kg: 3.4

Packaging:

N. packages: 1

Volume m3: 0.028

Dimensions cm: 23x28x44

Collection



Designer
3D
Instrucciones de montaje
Technical drawing
Fotometría