



Description:

Fluorescent ceiling and wall lamp with a PMMA opal white square shade and chrome trim in the centre.

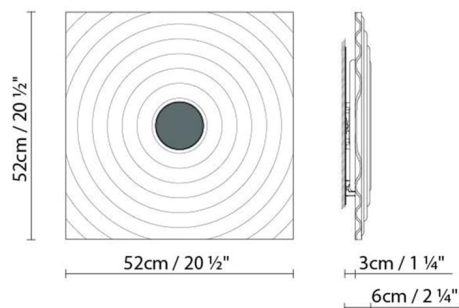
Materials:
PMMA.

Certifications:



IP20
230V

ONDAS C/W



Light source:



Fluo. circ. 22W + 40W (2Gx13)

Weight :

Net kg.: 2.8
Gross kg: 4.3

Packaging:

N. packages: 1
Volume m3: 0.060
Dimensions cm: 52x52x6

Designer
Technical drawing
Instrucciones de montaje