

**Description:**

Japanese-inspired single or multiple suspension lamp, all of them created around a disc that houses the light source (E27). This disc is available in a natural wood or painted matte black finish, which supports the textured blown-glass diffuser that comes in an opal matte white finish. The single-unit suspension lamps have one glass diffuser and are available in three sizes (S15, S25 and S35). The multiple-unit lamps allow for different configurations, since the customer can choose to set them up with two glass diffusers (S2 Glass) or three (S3 Glass). The version with a natural wood finish has an off-white textile cable, while the black painted version has a black textile cable.

Materials:

Glass.

Certifications:

IP20

230V

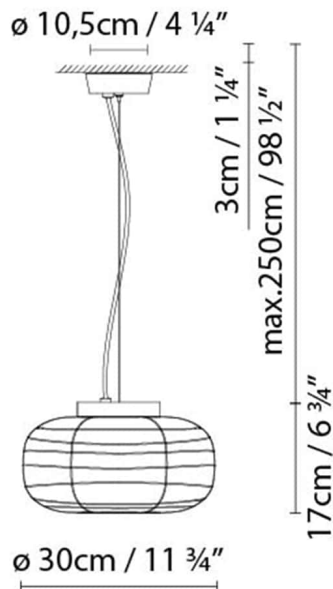
Finishes:

Black (matte)



Oak

MISKO S15

**Light source:**LED A+ LED 10W (E27)**Weight :**

Net kg.:

Gross kg.:

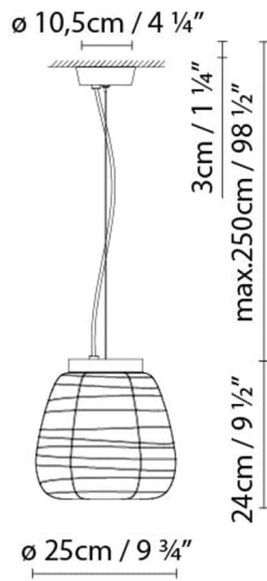
Packaging:

N. packages:

Volume m3:

Dimensions cm:

MISKO S25

**Light source:**

LED A+ LED 10W (E27)

Weight :

Net kg.:

Gross kg:

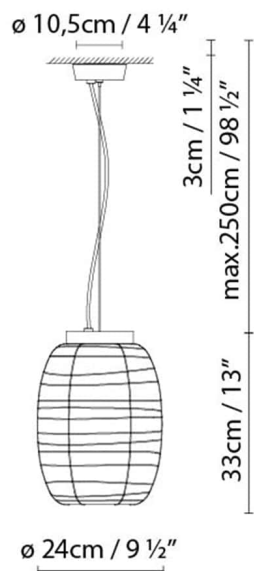
Packaging:

N. packages:

Volume m3:

Dimensions cm:

MISKO S35

**Light source:**

LED A+ LED 10W (E27)

Weight :

Net kg.:

Gross kg:

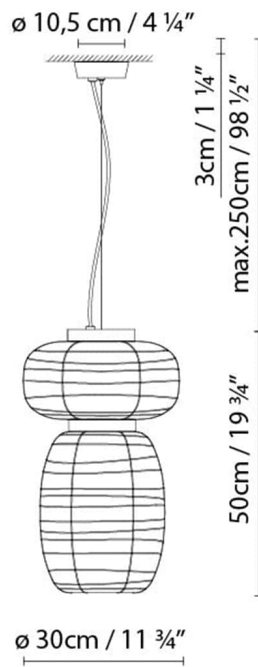
Packaging:

N. packages:

Volume m3:

Dimensions cm:

MISKO S2 GLASS

**Light source:**LED A+ LED 2 x 10W (E27)**Weight :**

Net kg.:

Gross kg.:

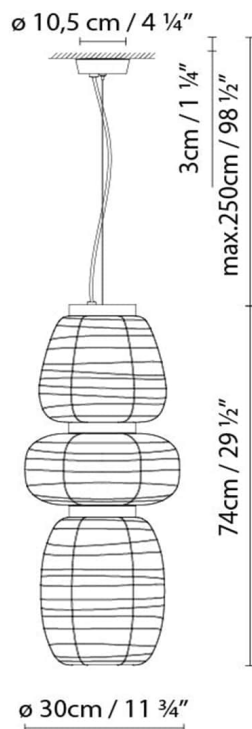
Packaging:

N. packages:

Volume m3:

Dimensions cm:

MISKO S3 GLASS

**Light source:**LED A+ LED 3 x 10W (E27)**Weight :**

Net kg.:

Gross kg.:

Packaging:

N. packages:

Volume m3:

Dimensions cm:

Collection



Designer
Technical drawing
Instrucciones de montaje