

**Description:**

A table lamp featuring an organic look, with an aluminium shade and polyurethane structure. Direct and reflected light. Available in textured monochromatic white or black matte finishes, and textured two-toned matte black and white, with a gold interior. Textile cables in the same tone. Available in two sizes. Dimmer.

Materials:

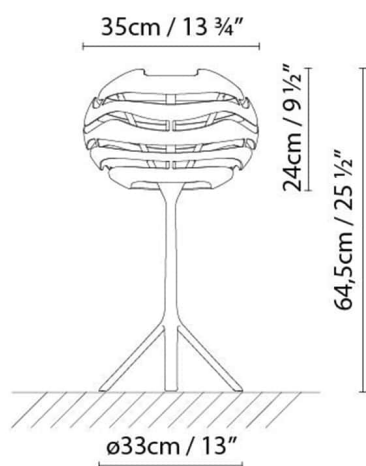
Aluminium.

Certifications:

IP20

230V

TREE SERIES T35

**Light source:**

LED ▶ A+ LED 3W (G9) DIM



▶ D Halo. max. 60W (G9)

Weight :

Net kg.: 2.15

Gross kg: 3

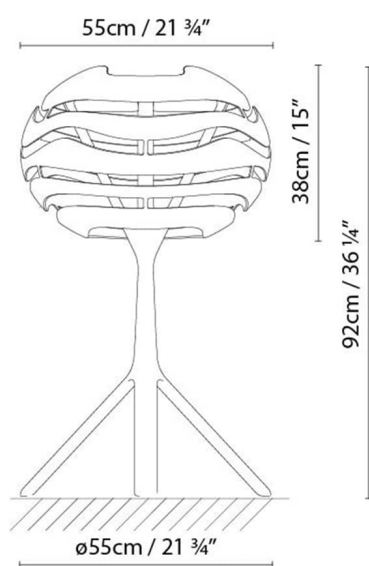


Packaging:

N. packages: 1

Volume m3: 0.095

Dimensions cm: 71,5 x 39,5 x 38,5

TREE SERIES T50

**Light source:****LED**  LED 6W (E27) DIM **D**  Halo. ECO max. 70W (E27)**Weight :**

Net kg.: 6.45

Gross kg: 7.75

Packaging:

N. packages: 1

Volume m3: 0.28

Dimensions cm: 60 x 60 x 78

Collection

Designer
Technical drawing