**Description:**

Wall or ceiling lamp featuring indirect light and a vintage look. Made of polished injected polyurethane. Available in different matte finishes: structure in white, black or beige, all of them matte.

Materials:

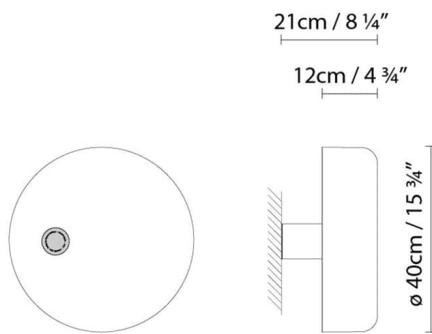
Polyurethane.

Certifications:

IP20

230V

HOODIE C/W

**Light source:**

Fluo. circ. 55W (2Gx13)

Weight :

Net kg.:

Gross kg.:

Packaging:

N. packages: 1

Volume m3: 0.060

Dimensions cm: 48x47.5x28.5

Collection



Designer
Technical drawing
3D