

**Description:**

Capsule is a collection of projectors designed using organic forms, which can be fitted to the ceiling or the wall, with a rosette in both cases, or on a universal three-phase track. The main body of the lamp is made entirely from injected aluminium and is available in four finishes: satin white, textured satin black, matte grey and shiny chrome. Capsule comes in three different sizes, each with its corresponding light source. They can all be angled, turning 350° on their own axis and 90° on their head.

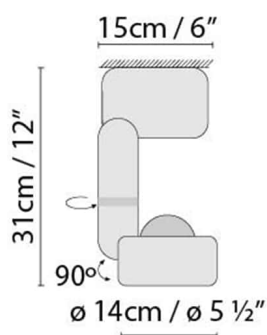
Materials:

Aluminium.

Certifications:

IP20
230V

CAPSULE SURFACE CDM-R 111 70W

**Light source:**

B

Halo. metalico CDM-R111 70W 230V
(Gx8,5)

Weight :

Net kg.: 1.1

Gross kg: 1.6

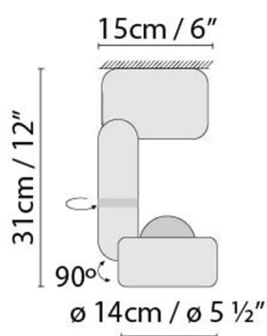
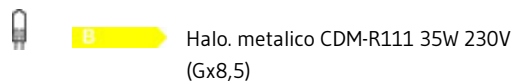
Packaging:

N. packages: 1

Volume m3: 0.014

Dimensions cm: 38x21.5x17

CAPSULE SURFACE CDM-R 111 35W

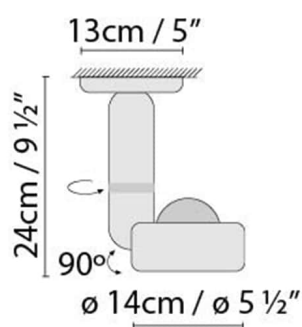
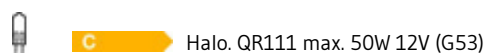
**Light source:****Weight :**

Net kg.: 1.1
Gross kg: 1.6

Packaging:

N. packages: 1
Volume m3: 0.014
Dimensions cm: 38x21.5x17

CAPSULE SURFACE QR-111

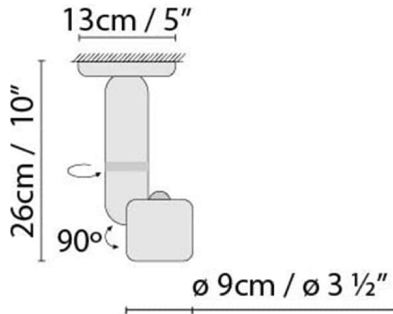
**Light source:****Weight :**

Net kg.: 1.0
Gross kg: 1.4

Packaging:

N. packages: 1
Volume m3: 0.010
Dimensions cm: 40x19x12.5

CAPSULE SURFACE QR-CB 51

**Light source:**

LED **A** LED MR16 5W (GU5,3)

B Halo. microica QR-CB51 max. 50W 12V (GU5,3)

Weight :

Net kg.: 0.7

Gross kg: 1.0

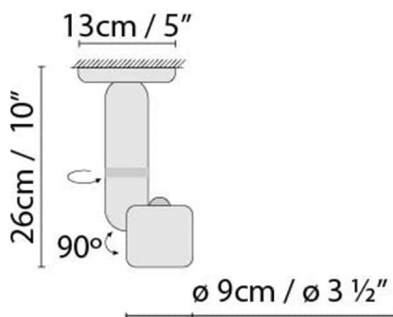
Packaging:

N. packages: 1

Volume m3: 0.005

Dimensions cm: 31x12x12.5

CAPSULE SURFACE (GU10)

**Light source:**

LED **A** LED 5W (GU10)

D Halo. microica max. 50W 230V (GU10)

Weight :

Net kg.: 0.7

Gross kg: 1.0

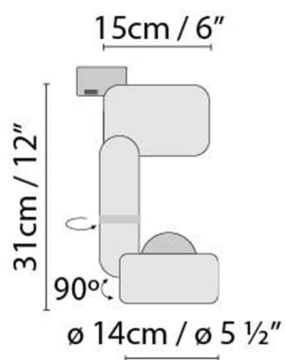
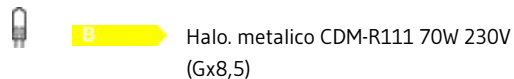
Packaging:

N. packages: 1

Volume m3: 0.005

Dimensions cm: 31x12x12.5

CAPSULE ADAPTER CDM-R 111 70W

**Light source:**

Halo. metalico CDM-R111 70W 230V
(Gx8,5)

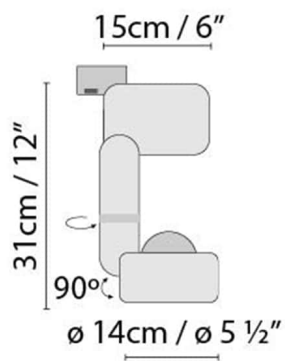
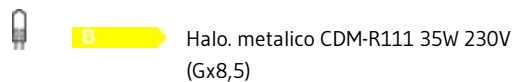
Weight :

Net kg.: 0.7
Gross kg: 1.0

Packaging:

N. packages: 1
Volume m3: 0.005
Dimensions cm: 31x12x12.5

CAPSULE ADAPTER CDM-R 111 35W

**Light source:**

Halo. metalico CDM-R111 35W 230V
(Gx8,5)

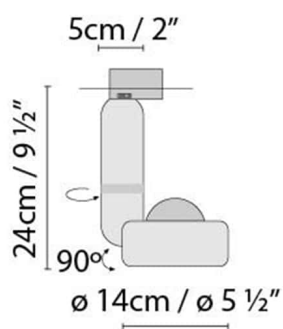
Weight :

Net kg.: 0.7
Gross kg: 1.0

Packaging:

N. packages: 1
Volume m3: 0.005
Dimensions cm: 31x12x12.5

CAPSULE ADAPTER QR-111

**Light source:**

LED **A** LED AR-111 12W (G53)

C Halo. QR111 max. 50W 12V (G53)

Weight :

Net kg.: 1.0

Gross kg: 1.4

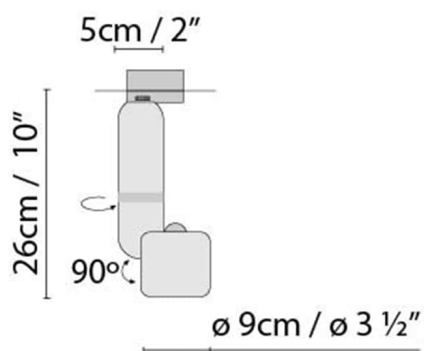
Packaging:

N. packages: 1

Volume m3: 0.010

Dimensions cm: 40x19x12.5

CAPSULE ADAPTER QR-CB 51

**Light source:**

LED **A** LED MR16 5W (GU5,3)

B Halo. microica QR-CB51 max. 50W 12V (GU5,3)

Weight :

Net kg.: 0.7

Gross kg: 1.0

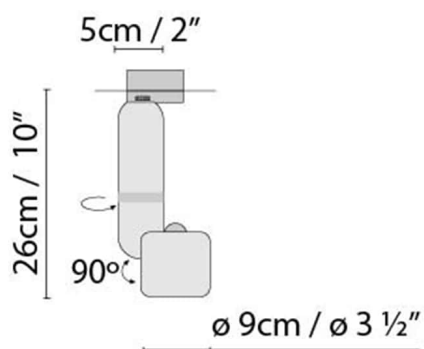

Packaging:

N. packages: 1

Volume m3: 0.005

Dimensions cm: 31x12x12.5

CAPSULE ADAPTER (GU10)

**Light source:**LED **A** LED 5W (GU10) **D** Halo. microica max. 50W 230V (GU10)**Weight :**

Net kg.: 0.7

Gross kg: 1.0

Packaging:

N. packages: 1

Volume m3: 0.005

Dimensions cm: 31x12x12.5

Collection

Designer
Technical drawing
Instrucciones de montaje