**Description:**

Wall lamp made from aluminium, with a polycarbonate shade and direct light (1L), indirect light (1L) or both (2L). Available in several finishes: matte grey, satin white, satin black, or oak veneer. Fluorescent or LED, two "on" settings and dimmer versions available. Other measurements, finishes, and emergency kit also available.

Materials:

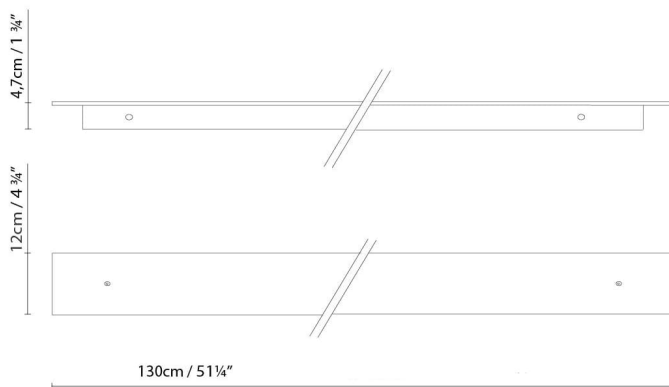
Aluminium.

Certifications:

IP20

230V

MARC DOS W130 (1L) LED

**Light source:**

LED A+

LED 21W 3340lm 450mA 3000K CRI>80
230V

Weight :

Net kg.: 3.9

Gross kg:

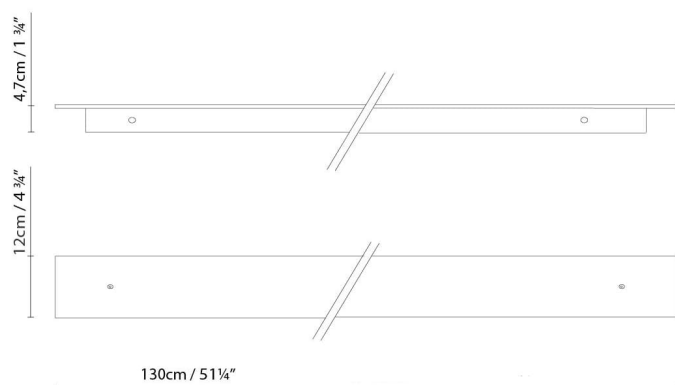
Packaging:

N. packages: 1

Volume m3: 0.020

Dimensions cm: 14x10x142

MARC DOS W130 (1L) FLUO

**Light source:**

A+

Fluo. 28/54W (G5)

Weight :

Net kg.: 3.9

Gross kg:

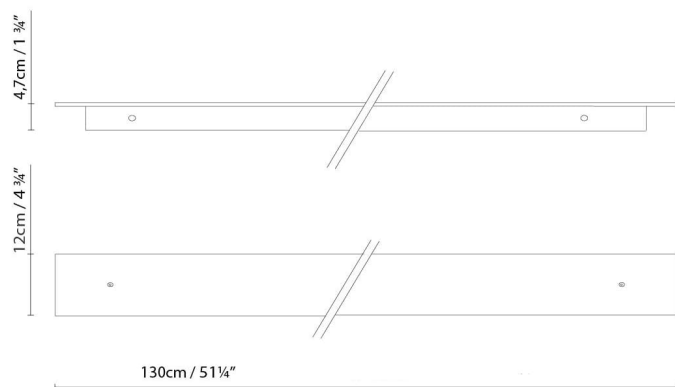
Packaging:

N. packages: 1

Volume m3: 0.020

Dimensions cm: 14x10x142

MARC DOS W130 (2L) LED

**Light source:**

LED

A+

LED 2 x 21W 6680lm 450mA
3000K CRI>80 230V**Weight :**

Net kg.: 4.5

Gross kg: 5.5

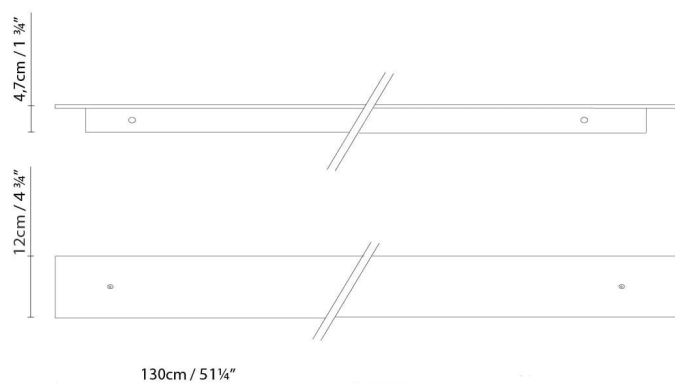
Packaging:

N. packages: 1

Volume m3: 0.021

Dimensions cm: 11x14x138

MARC DOS W130 (2L) FLUO

**Light source:**

A+

Fluo. 2 x 28/54W (G5)

Weight :

Net kg.: 4.5

Gross kg: 5.5

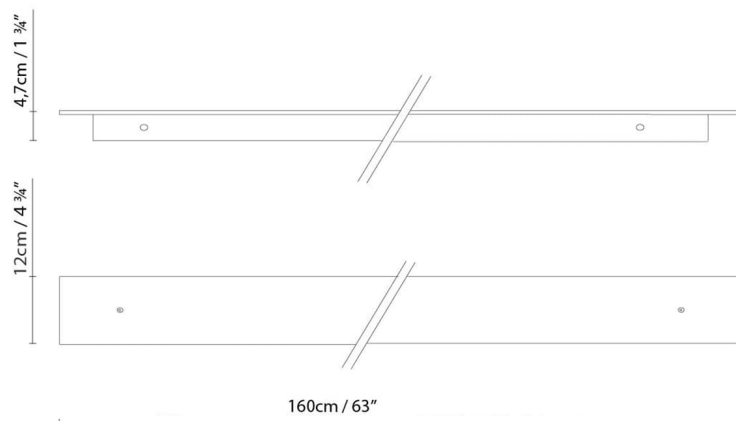
Packaging:

N. packages: 1

Volume m3: 0.021

Dimensions cm: 11x14x138

MARC DOS W160 (1L) LED

**Light source:**

LED

A+

LED 26,2W 4180lm 450mA
3000K CRI>80 230V**Weight :**

Net kg.:

Gross kg:

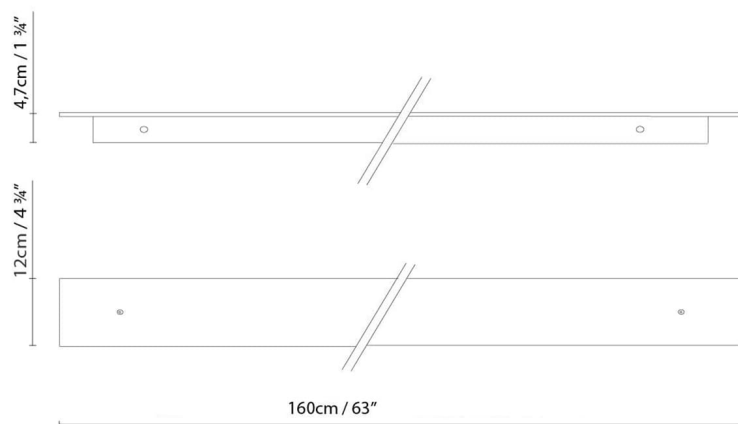
Packaging:

N. packages:

Volume m3:

Dimensions cm:

MARC DOS W160 (1L) FLUO

**Light source:**

Fluo. 35/49W (G5)

Weight :

Net kg.:

Gross kg.:

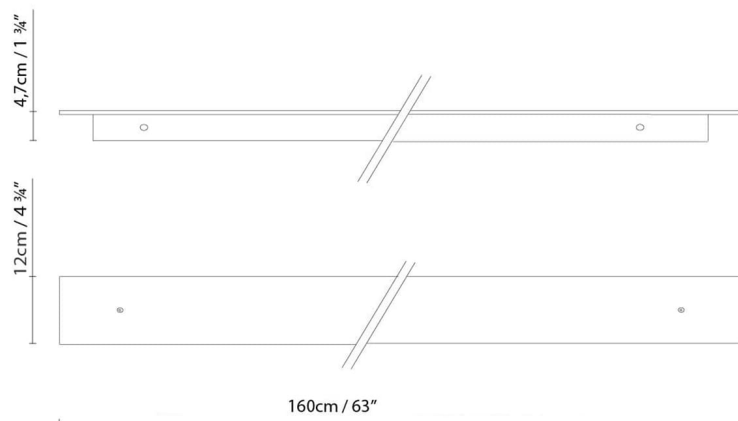
Packaging:

N. packages: 1

Volume m3:

Dimensions cm:

MARC DOS W160 (2L) LED

**Light source:**LED 2 x 26,2W 8360lm 450mA 3000K
CRI>80 230V**Weight :**

Net kg.: 5.2

Gross kg.: 6.7

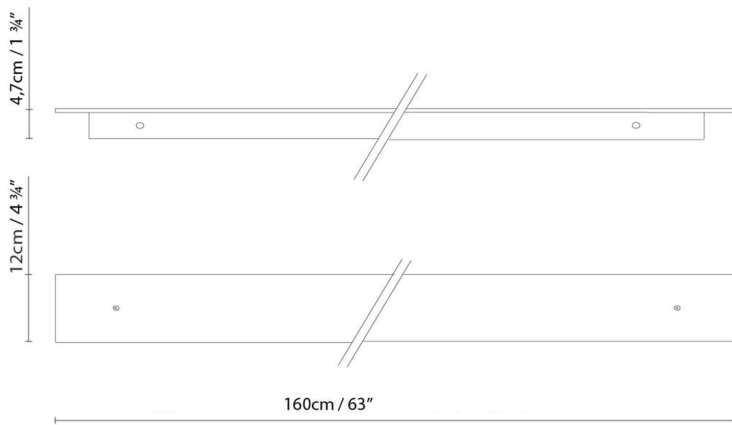
Packaging:

N. packages: 1

Volume m3: 0.025

Dimensions cm: 10x14x182

MARC DOS W160 (2L) FLUO

**Light source:**

Fluo. 2 x 35/49W (G5)

Weight :

Net kg.: 5.2

Gross kg: 6.7

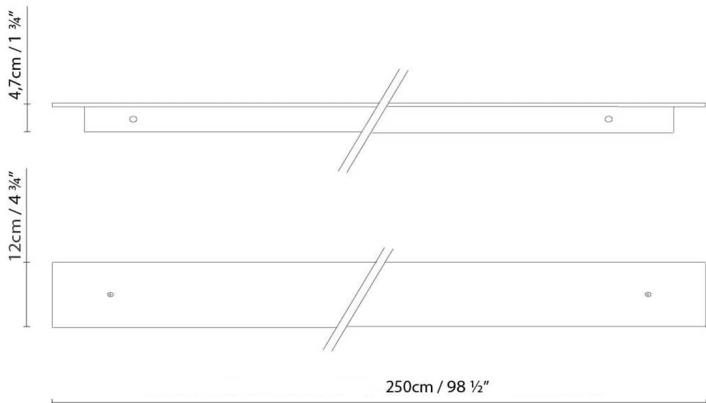
Packaging:

N. packages: 1

Volume m3: 0.025

Dimensions cm: 10x14x182

MARC DOS W250 (1L) LED

**Light source:**LED 44,6W 7100lm 450mA 3000K CRI>80
230V**Weight :**

Net kg.:

Gross kg:

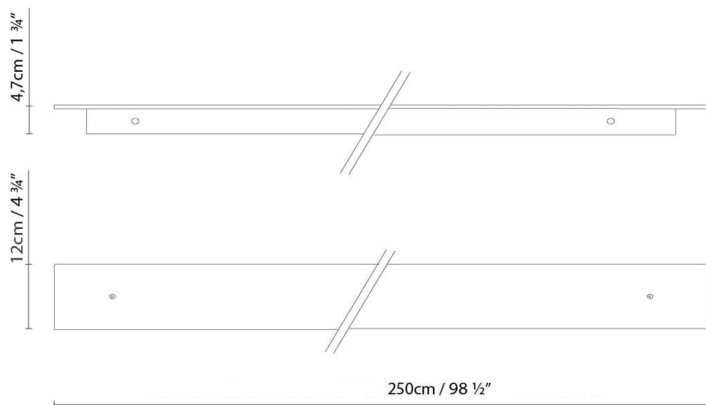
Packaging:

N. packages:

Volume m3:

Dimensions cm:

MARC DOS W250 (1L) FLUO

**Light source:**

A+

Fluo. 2 x 28/54W (G5)

Weight :

Net kg.:

Gross kg.:

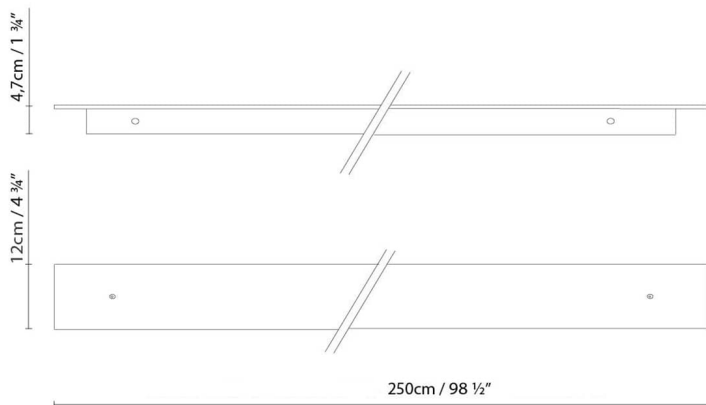
Packaging:

N. packages: 1

Volume m3:

Dimensions cm:

MARC DOS W250 (2L) LED

**Light source:**

LED

A+

LED 2 x 44,6W 14200lm 450mA 3000K
CRI>80 230V**Weight :**

Net kg.:

Gross kg.:

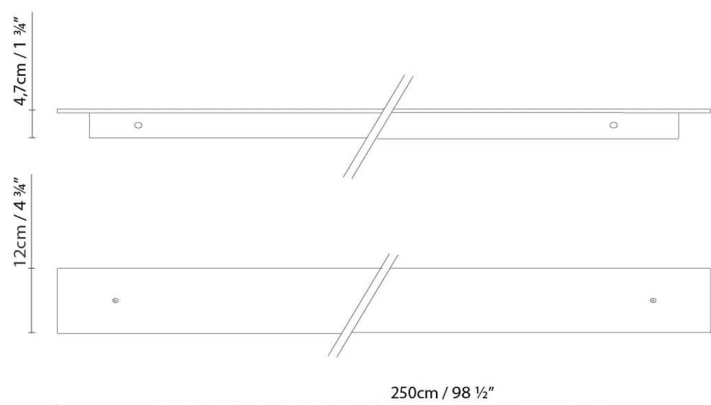
Packaging:

N. packages:

Volume m3:

Dimensions cm:

MARC DOS W250 (2L) FLUO

**Light source:**

Fluo. 4 x 28/54W (G5)

Weight :

Net kg.:

Gross kg.:

Packaging:

N. packages: 1

Volume m3:

Dimensions cm:

Collection



Designer
Technical drawing
Instrucciones de montaje
Fotometría
3D