

**Description:**

Adjustable lamp surface, made of solid mechanised aluminium and available in a satin silver finish or textured matte white. Direct light.

Materials:

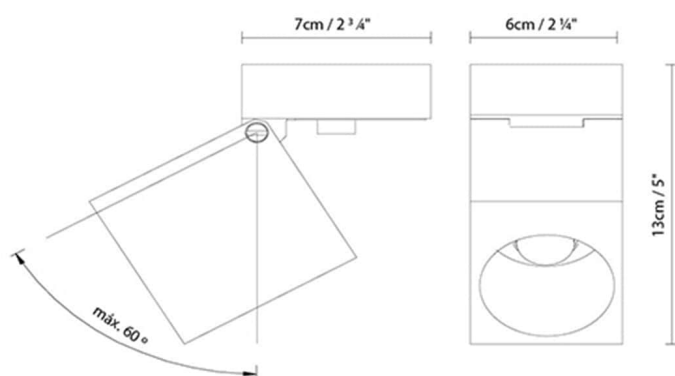
Aluminium.

Certifications:

IP20

230V

BLOK C10 ORIENTABLE

**Light source:**

LED **A** LED PAR16 5W (Gu10)

D Halo. QPAR16 max. 50W (Gu10)

Weight :

Net kg.:

Gross kg: 0.8

Packaging:

N. packages: 1

Volume m3: 0.003

Dimensions cm: 15x14x12

Collection



Designer
Instrucciones de montaje
Technical drawing