

**Description:**

Rectangular ceiling lamp made from aluminium and available in two finishes: anodised satin silver or textured matte white. It comes in five sizes. They are all fitted with an opal white shade, which emits direct and diffuse light. Available with a dimmer or RGB switch. Emergency kit available on request.

Materials:

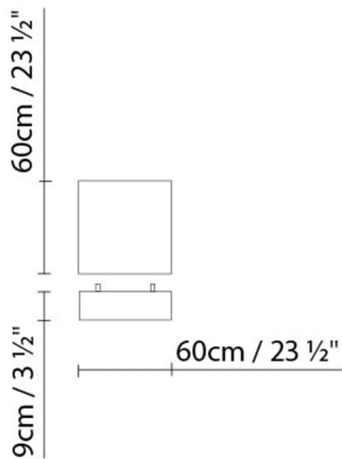
Aluminium.

Certifications:

IP20

230V

L FLOW C60x60 LED

**Light source:**

LED A+ LED 8 x 10,5W 13360lm 450mA 3000K
CRI>80 230V

Weight :

Net kg.:

Gross kg:

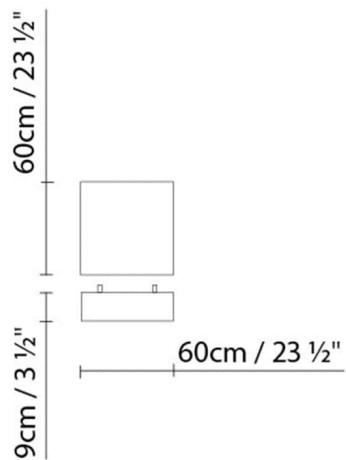
Packaging:

N. packages:

Volume m3:

Dimensions cm:

L FLOW C60x60 FLUO

**Light source:**

Fluo. 8 x 14/24W (G5)

Weight :

Net kg.:

Gross kg:

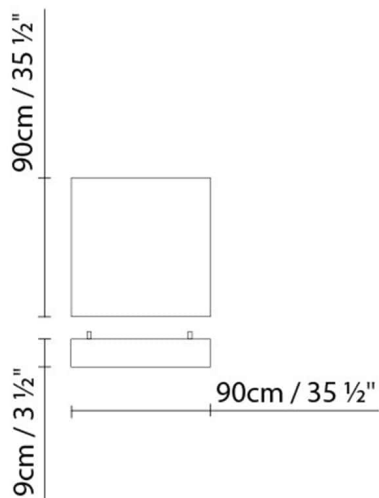
Packaging:

N. packages: 1

Volume m3:

Dimensions cm:

L FLOW C90x90 LED

**Light source:**LED 8 x 15,7W 20080lm 450mA 3000K
CRI>80 230V**Weight :**

Net kg.:

Gross kg:

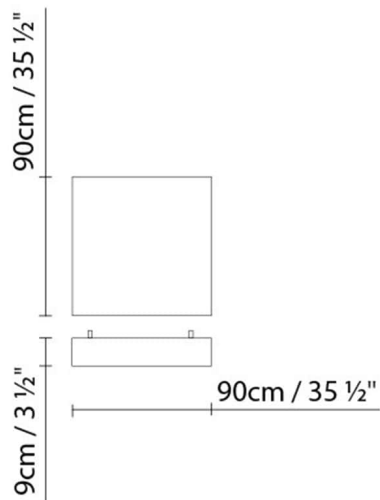
Packaging:

N. packages: 1

Volume m3: 0.180

Dimensions cm: 97x97x19

L FLOW C90x90 FLUO

**Light source:**

Fluo. 8 x 21/39W (G5)

Weight :

Net kg.:

Gross kg:

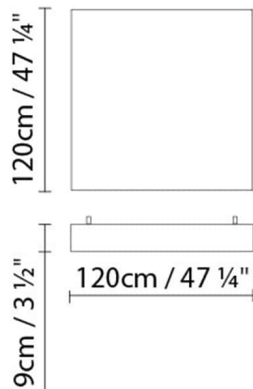
Packaging:

N. packages: 1

Volume m3: 0.180

Dimensions cm: 97x97x19

L FLOW C120X120 LED

**Light source:**LED 12 x 21W 40080lm 450mA 3000K
CRI>80 230V**Weight :**

Net kg.:

Gross kg:

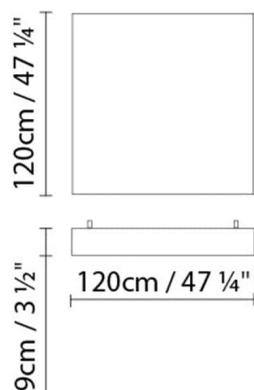
Packaging:

N. packages: 1

Volume m3: 0.350

Dimensions cm: 130x130x21

L FLOW C120x120 FLUO

**Light source:**

Fluo. 12 x 28/54W (G5)

Weight :

Net kg.:

Gross kg:

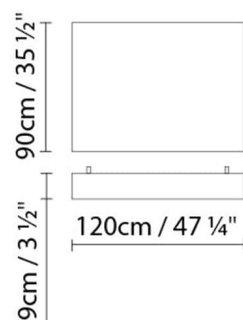
Packaging:

N. packages: 1

Volume m3: 0.350

Dimensions cm: 130x130x21

L FLOW C90x120 LED

**Light source:**LED 8 x 21W 26720lm 450mA 3000K
CRI>80 230V**Weight :**

Net kg.:

Gross kg:

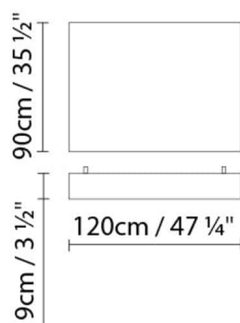
Packaging:

N. packages:

Volume m3:

Dimensions cm:

L FLOW C90x120 FLUO

**Light source:**

Fluo. 8 x 28/54W (G5)

Weight :

Net kg.:

Gross kg.:

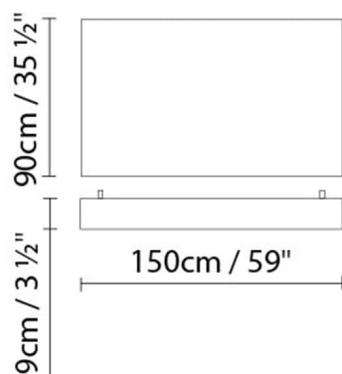
Packaging:

N. packages: 1

Volume m3:

Dimensions cm:

L FLOW C90x150 LED

**Light source:**LED 8 x 26,2W 33440lm 450mA 3000K
CRI>80 230V**Weight :**

Net kg.:

Gross kg.:

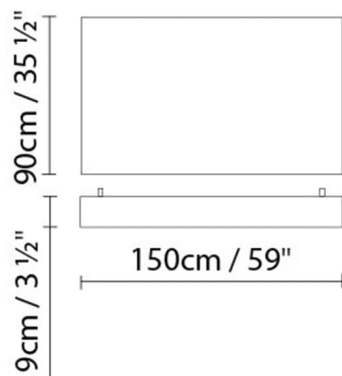
Packaging:

N. packages:

Volume m3:

Dimensions cm:

L FLOW C90x150 FLUO

**Light source:**

Fluo. 8 x 80W (G5)

Weight :

Net kg.:

Gross kg:

Packaging:

N. packages: 1

Volume m3:

Dimensions cm:

Collection



Designer
Technical drawing
Instrucciones de montaje
Fotometría