



Description:

Direct-light suspension lamp with LED modules consisting of two or four points of light. Made from aluminium. Available in white or black matte finishes. Other finishes and a version with dimmer optional.

Materials:

Aluminium.

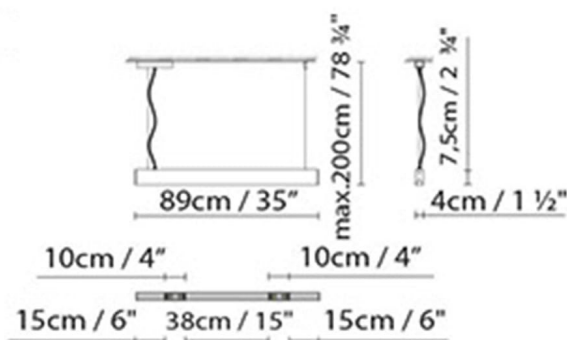
Certifications:



IP20

230V

ANVIL S90 LED MODULE



Light source:

LED A

LED 2 x (2 x 4,5W) 2184lm 250mA
3000K CRI80 230V

Weight :

Net kg.:

Gross kg: 4.0

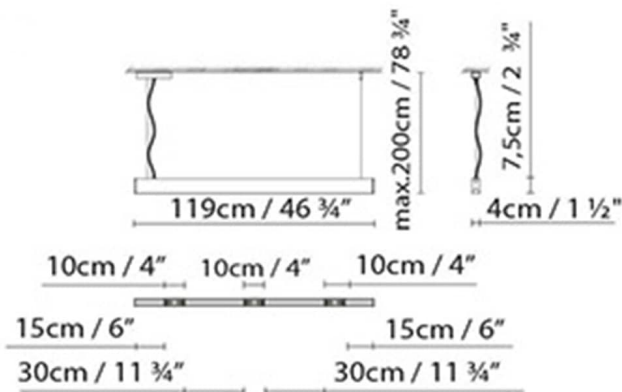
Packaging:

N. packages: 1

Volume m3:

Dimensions cm:

ANVIL S120 LED MODULE



Light source:

LED **A** LED 3 x (2 x 4,5W) 3276lm 250mA
3000K CRI80 230V

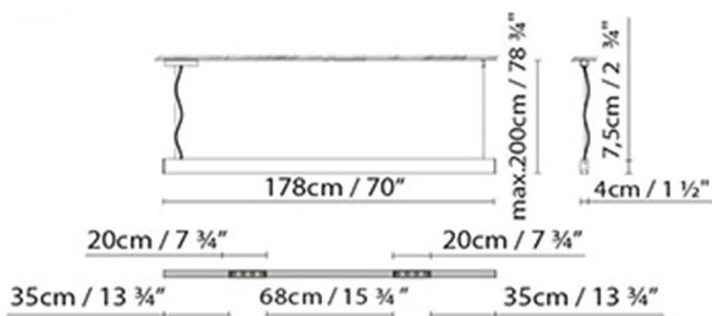
Weight :

Net kg.:
Gross kg: 4.4

Packaging:

N. packages: 1
Volume m3:
Dimensions cm:

ANVIL S180 LED MODULE



Light source:

LED **A** LED 2 x (4 x 4,5W) 4368lm 250mA
3000K CRI80 230V

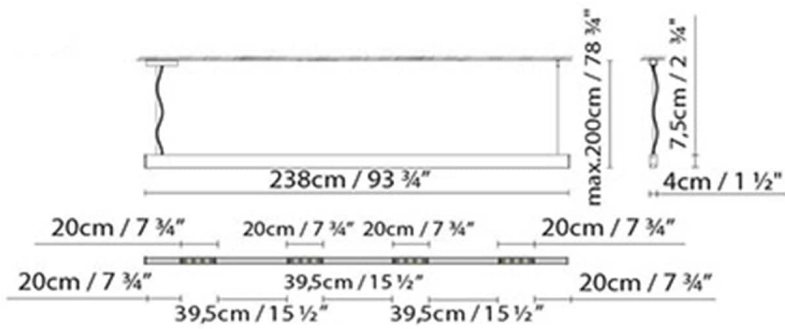
Weight :

Net kg.:
Gross kg: 5.2

Packaging:

N. packages: 1
Volume m3:
Dimensions cm:

ANVIL S240 LED MODULE

**Light source:**

LED A LED 4 x (4 x 4,5W) 8736lm 250mA
3000K CRI80 230V

Weight :

Net kg.:

Gross kg: 6.1

Packaging:

N. packages: 1

Volume m3:

Dimensions cm:

Collection



Designer
Technical drawing
Instrucciones de montaje