



Description:

Direct-light ceiling lamp with LED modules consisting of two or four points of light. Made from aluminium. Available in white or black matte finishes. Other finishes and a version with dimmer optional.

Materials:

Aluminium.

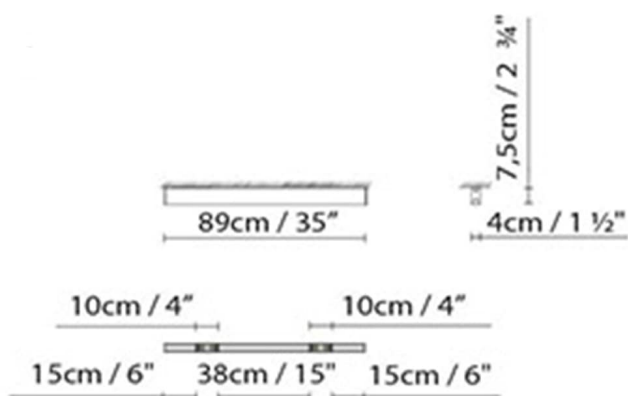
Certifications:



IP20

230V

ANVIL C90 LED MODULE



Light source:

LED A

LED 2 x (2 x 4,5W) 2184lm 250mA
3000K CRI80 230V

Weight :

Net kg.:

Gross kg: 3.6

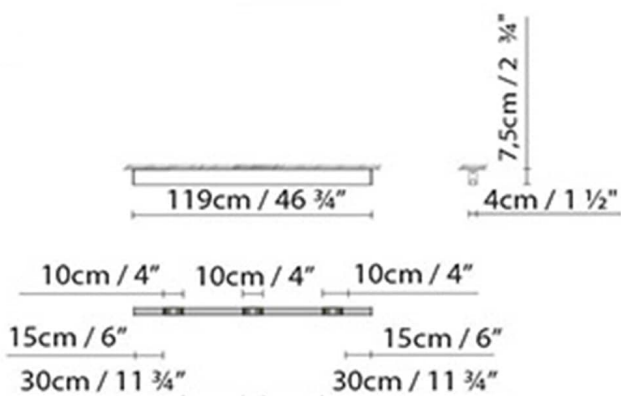
Packaging:

N. packages: 1

Volume m3:

Dimensions cm:

ANVIL C120 LED MODULE



Light source:

LED A LED 2 x (2 x 4,5W) 3276lm 250mA
3000K CRI80 230V

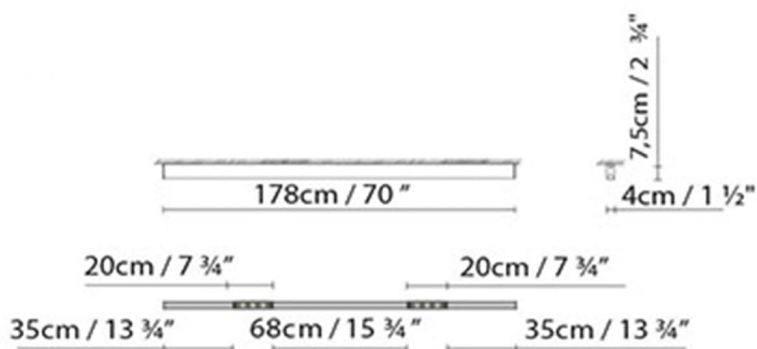
Weight :

Net kg.:
Gross kg: 4.0

Packaging:

N. packages: 1
Volume m3:
Dimensions cm:

ANVIL C180 LED MODULE



Light source:

LED A LED 2 x (4 x 4,5W) 4368lm 250mA
3000K CRI80 230V

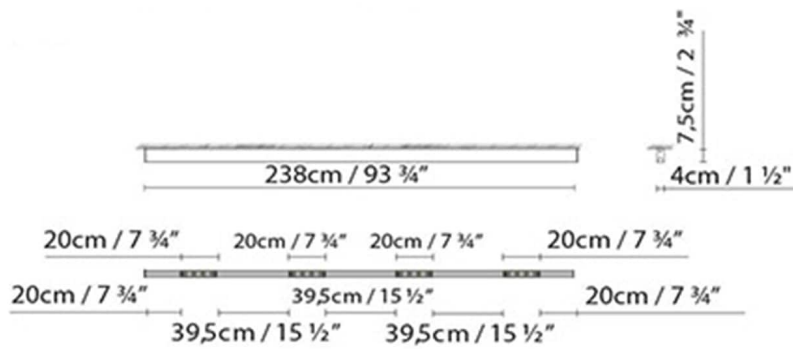
Weight :

Net kg.:
Gross kg: 4.8

Packaging:

N. packages: 1
Volume m3:
Dimensions cm:

ANVIL C240 LED MODULE

**Light source:**

LED A LED 4 x (4 x 4,5W) 8736lm 250mA
3000K CRI80 230V

Weight :

Net kg.:

Gross kg: 7.2

Packaging:

N. packages: 1

Volume m3:

Dimensions cm: 16x10x260

Collection



Designer
Technical drawing
Instrucciones de montaje