

**Description:**

Outdoor beacon lamp, which can be recessed into the wall, made from 316L brushed stainless steel and corten steel. Indirect light.

**Materials:**

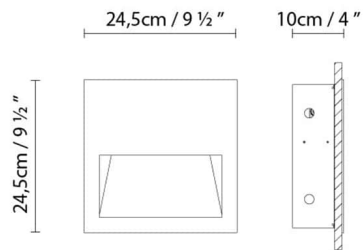
Steel.

**Certifications:**

IP65

230V

## LAP WR20 LED

**Light source:**

LED A+

LED 2 x 4,5W 1092lm 250mA 3000K  
CRI80 230V

**Weight :**

Net kg.:

Gross kg:

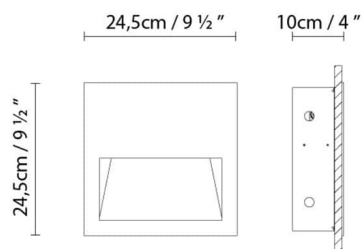
**Packaging:**

N. packages:

Volume m3:

Dimensions cm:

## LAP WR20 FLUO

**Light source:**

Fluo. 10W (G24q-1)

**Weight :**

Net kg.:

Gross kg:

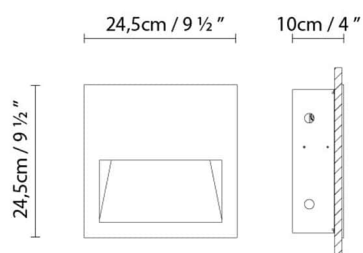
**Packaging:**

N. packages: 1

Volume m3:

Dimensions cm:

## LAP WR20 HI

**Light source:**

Halo. metalico (HI) 35W (G8.5)

**Weight :**

Net kg.:

Gross kg:

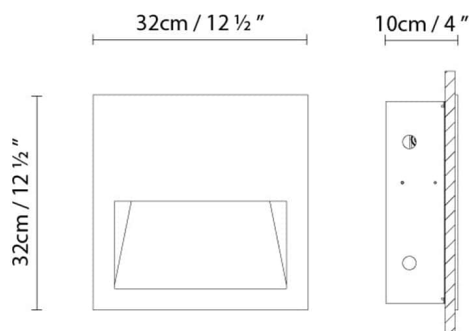
**Packaging:**

N. packages: 1

Volume m3:

Dimensions cm:

## LAP WR30 LED

**Light source:**

**LED** ▶ A+ WR30 LED: LED 2 x 4,5W 1092lm  
250mA 3000K CRI80 230V

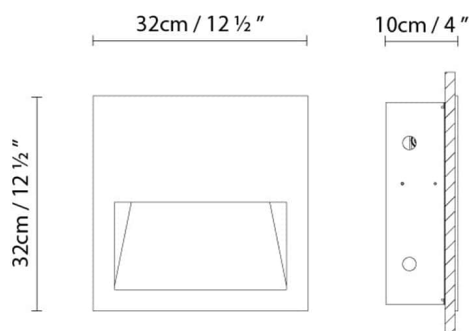
**Weight :**

Net kg.: 6.4  
Gross kg: 7.1

**Packaging:**

N. packages: 1  
Volume m3: 0.030  
Dimensions cm: 17.5x41x42

## LAP WR30 FLUO

**Light source:**

 ▶ A Fluo. 18W (G24q-2)

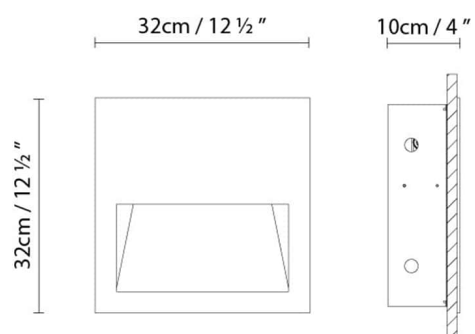
**Weight :**

Net kg.: 6.4  
Gross kg: 7.1

**Packaging:**

N. packages: 1  
Volume m3: 0.030  
Dimensions cm: 17.5x41x42

## LAP WR30 HI

**Light source:**

Halo. metalico (HI) 35W (G8.5)

**Weight :**

Net kg.: 6.6

Gross kg: 7.3

**Packaging:**

N. packages: 1

Volume m3: 0.030

Dimensions cm: 17.5x41x42

Designer  
Technical drawing  
Instrucciones de montaje