

**Description:**

Suspension lamp system crafted in copper or brass, featuring a high-luminance LED light source. It includes a glass lens that focuses the light and enhances its luminous efficiency. There is an optional opal diffuser providing dispersed general lighting. Available in monochrome copper or brass finishes, both with a shiny exterior and a satin interior. It is also sold in a white or textured matte black exterior, combined with a shade interior in satin brass or copper. Speers 1 is available in a surface version (S1) and a recessed version (SR1). Dimmer optional. The versions with 2, 3, 4 and 6 suspension fixtures are only marketed as a surface version (S2, S3, S4 and S6), all of them with dimmer.

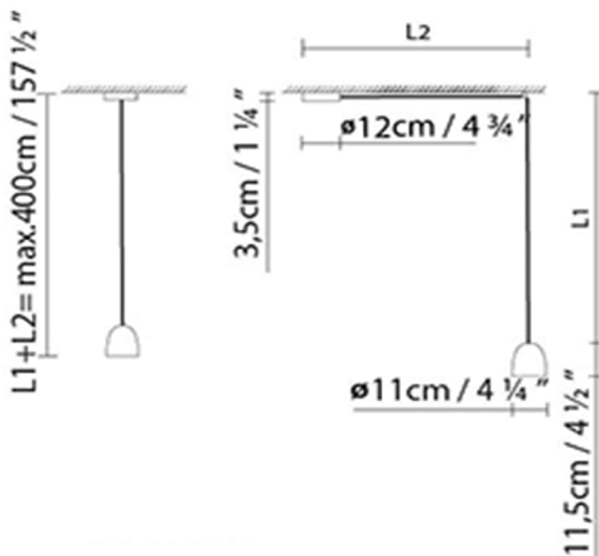
**Materials:**

Copper.  
Brass.

**Certifications:**

IP20  
110-230V

## SPEERS S1

**Light source:**

**LED** A+ LED 9W 1100lm 500mA 2700K CRI80  
110-230V

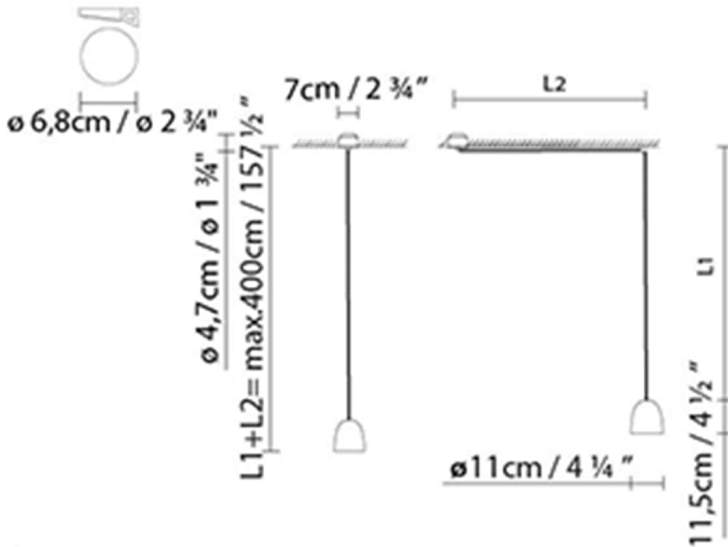
**Weight :**

Net kg.: 1.75  
Gross kg: 2.25

**Packaging:**

N. packages: 1  
Volume m3: 0.006  
Dimensions cm: 22x17x17

SPEERS SR1



Light source:

LED **A+** LED 9W 1100lm 500mA 2700K CRI80 230V

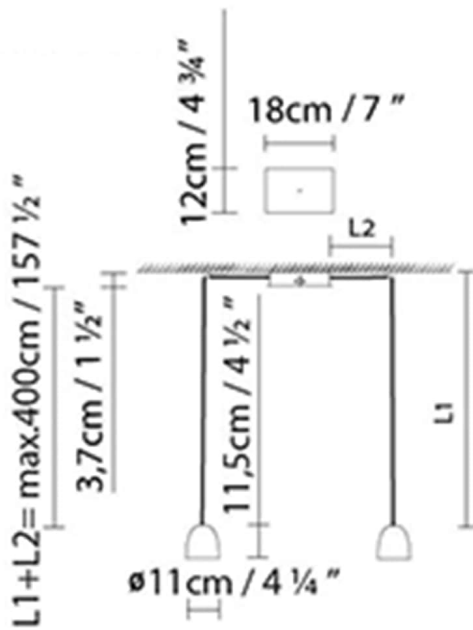
Weight :

Net kg.: 1.75  
Gross kg: 2.25

Packaging:

N. packages: 1  
Volume m3: 0.006  
Dimensions cm: 22x17x17

SPEERS S2



Light source:

LED **A+** LED 2 x 9W 2200lm 500mA 2700K CRI80 DIM 230V

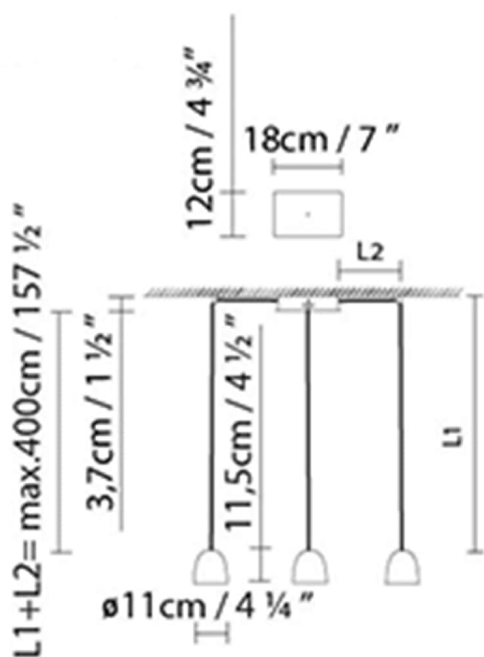
Weight :

Net kg.:  
Gross kg:

Packaging:

N. packages:  
Volume m3:  
Dimensions cm:

SPEERS S3



Light source:

LED **A+** LED 3 x 9W 3300lm 500mA 2700K CRI80  
DIM 230V

Weight :

Net kg.:

Gross kg:

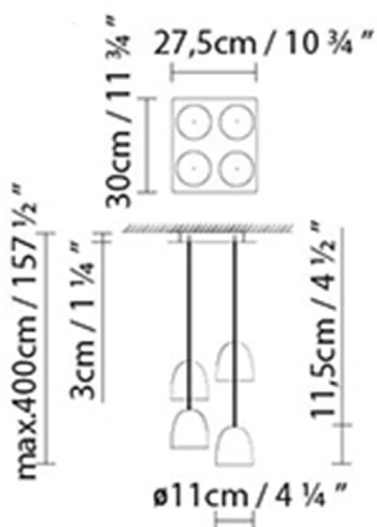
Packaging:

N. packages:

Volume m3:

Dimensions cm:

SPEERS S4



Light source:

LED **A+** LED 4 x 9W 4400lm 500mA 2700K CRI80  
DIM 110-230V

Weight :

Net kg.:

Gross kg:

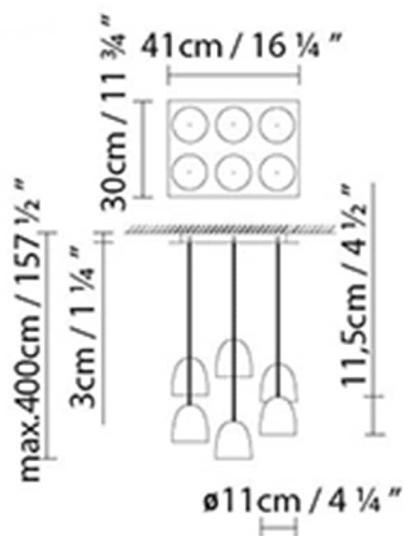
Packaging:

N. packages:

Volume m3:

Dimensions cm:

## SPEERS S6

**Light source:**

**LED** ▶ A+ LED 6 x 9W 6600lm 500mA 2700K CRI80  
DIM 230V

**Weight :**

Net kg.:

Gross kg:

**Packaging:**

N. packages:

Volume m3:

Dimensions cm:

## Collection



Designer  
3D  
Fotometría  
Technical drawing  
Instrucciones de montaje