

**Description:**

Adjustable suspension lamp with a metal structure and opaline glass diffuser. Finishes: Textured matte beige, textured matte red, or textured matte grey, all with a textured white interior. Available in two sizes.

Materials:

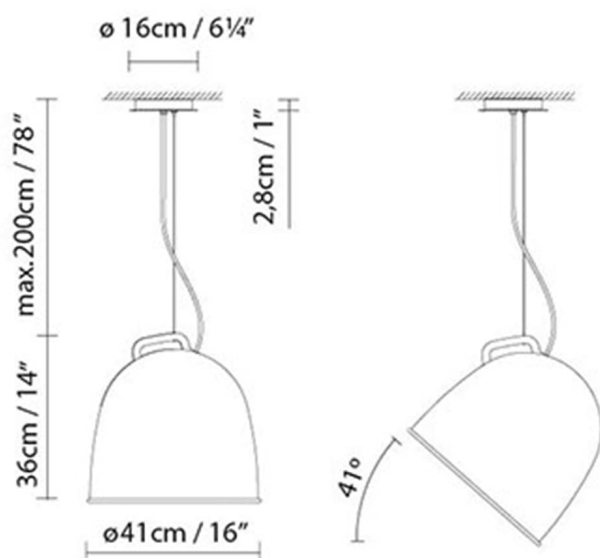
Aluminium.

Certifications:

IP20

230V / 110V

SCOUT S40 LED

**Light source:**

LED A+ LED 17,5W 1550lm 3000K CRI>80 230V

Weight :

Net kg.: 4.5

Gross kg: 6.4

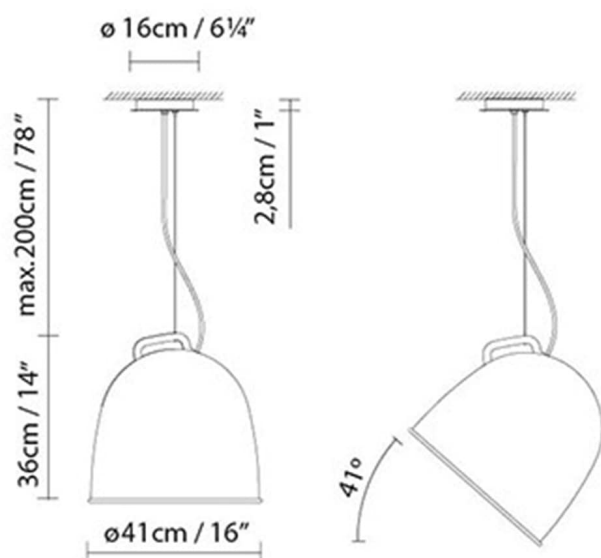
Packaging:

N. packages: 1


Volume m3:


Dimensions cm:

SCOUT S40 (E27)



Light source:

 **A** Fluo. 2 x max. 20W (E27)

 **D** Halo. ECO 2 x max. 70W (E27)

Weight :

Net kg.: 4.5

Gross kg: 6.4

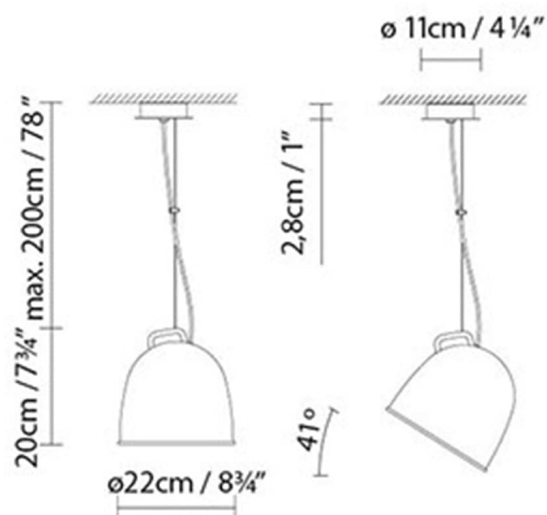
Packaging:

N. packages: 1

Volume m3:

Dimensions cm:

SCOUT S22 LED



Light source:

LED **A+** LED 17,5W 1550lm 3000K 230V

Weight :

Net kg.: 1.64

Gross kg: 2.46

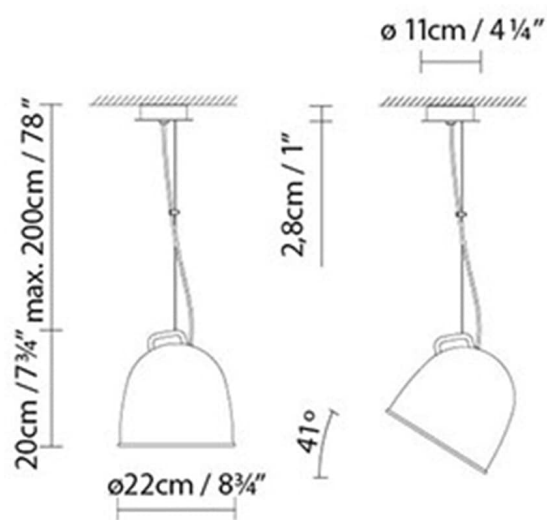
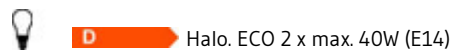
Packaging:

N. packages: 1

Volume m3: 0.035

Dimensions cm: 32.5x32.5x33.5

SCOUT S22 (E14)

**Light source:****Weight :**

Net kg.: 1.64
Gross kg: 2.46

Packaging:

N. packages: 1
Volume m3: 0.035
Dimensions cm: 32.5x32.5x33.5

Designer
Instrucciones de montaje
Technical drawing
Fotometría
3D