

**Description:**

Ceiling or wall (C/W) lamp, both individual (I) or double (II). Made of aluminium, with a transparent glass diffuser and diffuse light. Available in anodised satin silver or matte white finishes.

**Materials:**

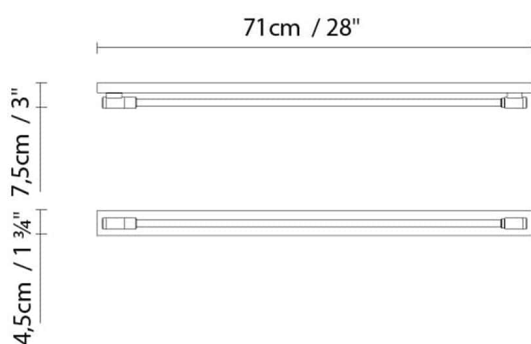
Aluminium.

**Certifications:**

IP20

230V

## Roof CI/WI 70

**Light source:**

A+

Fluo. 14/24W (G5)

**Weight :**

Net kg.:

Gross kg:

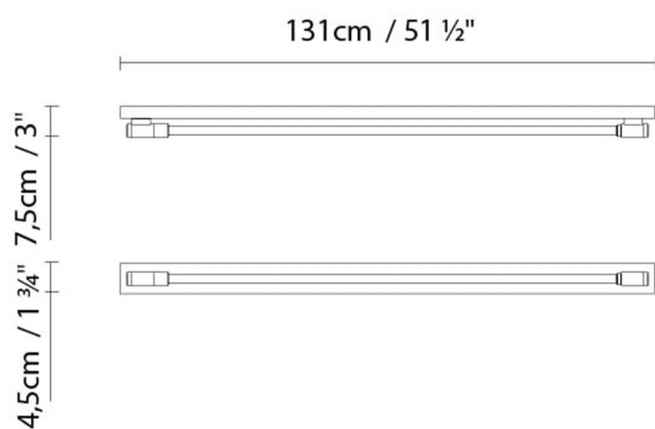
**Packaging:**

N. packages:

Volume m3:

Dimensions cm:

## Roof CI/WI 130

**Light source:**

Fluo. 28/54W (G5)

**Weight :**

Net kg.:

Gross kg:

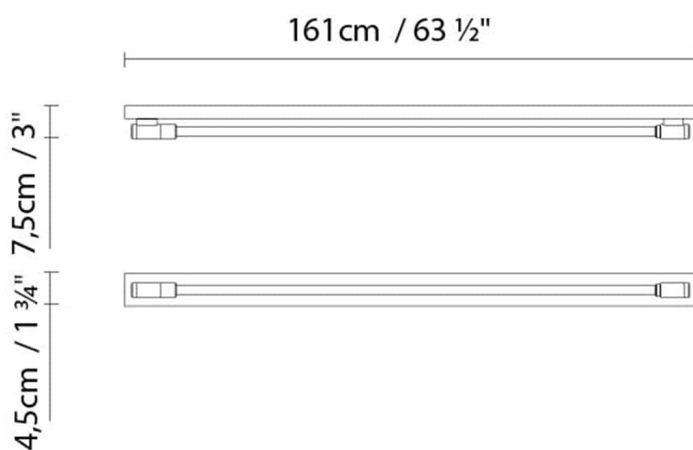
**Packaging:**

N. packages:

Volume m3:

Dimensions cm:

## Roof CI/WI 160

**Light source:**

Fluo. 35/49W (G5)

**Weight :**

Net kg.:

Gross kg:

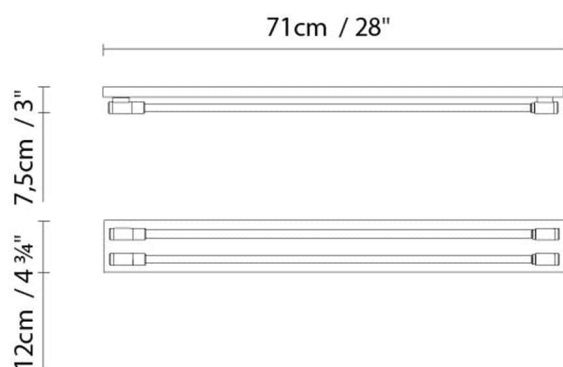
**Packaging:**

N. packages:

Volume m3:

Dimensions cm:

## Roof CII/WII 70

**Light source:**

Fluo. 2 x 14/24W (G5)

**Weight :**

Net kg.:

Gross kg:

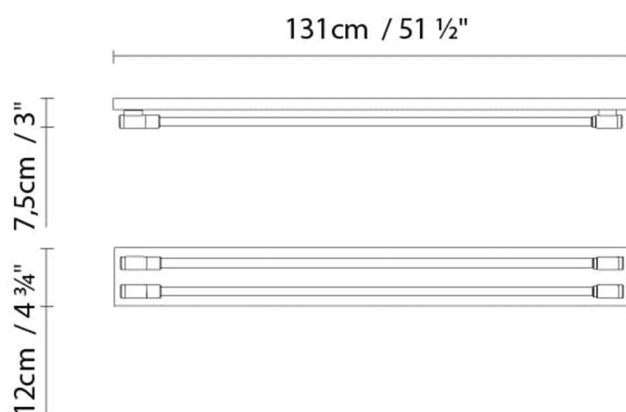
**Packaging:**

N. packages:

Volume m3:

Dimensions cm:

## Roof CII/WII 130

**Light source:**

Fluo. 2 x 28/54W (G5)

**Weight :**

Net kg.:

Gross kg:

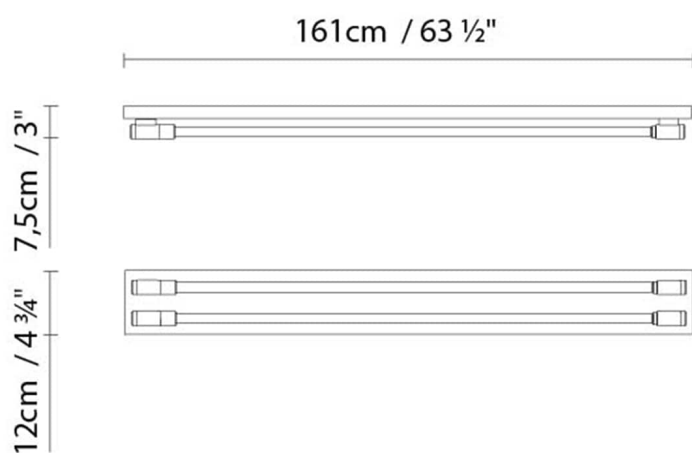
**Packaging:**

N. packages:

Volume m3:

Dimensions cm:

## Roof CII/WII 160

**Light source:**

Fluo. 2 x 35/49W (G5)

**Weight :**

Net kg.:

Gross kg:

**Packaging:**

N. packages:

Volume m3:

Dimensions cm:

## Collection

Designer  
Technical drawing