

**Description:**

Dual-light wall lamp (2L) with an ambient indirect light (touch-dim) and an adjustable direct light (touch on-off). Also available with a single direct source of light (1L). The light source is a high-luminance LED, which features a glass lens to focus the light and improve performance. Available in two finishes: textured white matte outer finish with a satin brass interior, and textured black matte exterior with satin copper interior.

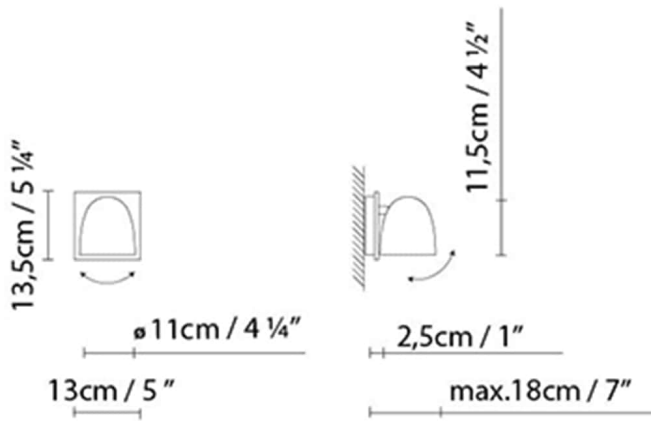
**Materials:**

Copper.  
Brass.

**Certifications:**

IP20  
110-230V

## SPEERS W1L

**Light source:**

**LED** A+ LED 9W 1100lm 500mA 2700K CRI80  
110-230V

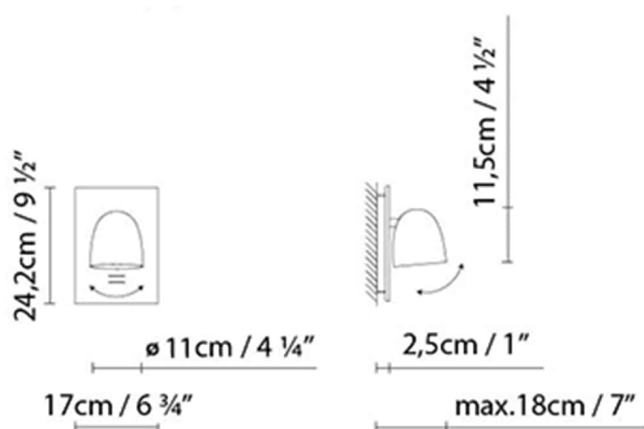
**Weight :**

Net kg.:  
Gross kg:

**Packaging:**

N. packages:  
Volume m3:  
Dimensions cm:

## SPEERS W2L

**Light source:**

**LED** A+ LED 9W 1100lm 500mA 2700K CRI80  
230V + LED 9,8W 12V 920lm 3000K  
CRI80 DIM 230V

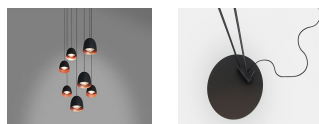
**Weight :**

Net kg.: 2  
Gross kg: 2,6

**Packaging:**

N. packages: 1  
Volume m3: 0,015  
Dimensions cm: 35x22x18,5

## Collection



Designer  
3D  
Technical drawing  
Fotometría  
Instrucciones de montaje