

**Description:**

LED suspension lamp featuring organic forms. Direct and indirect light. Aluminium shade, available in matte brown, matte pink and matte blue finishes, both with a pearl white interior. Available in three sizes.

Materials:

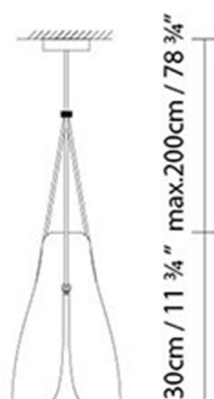
Aluminium.

Certifications:

IP20

230V

GINKGO S20

**Light source:**

LED A+ LED 2 x 7W 1080lm 2700K CRI>80 DIM 230V

Weight :

Net kg.: 1.31

Gross kg: 2.1

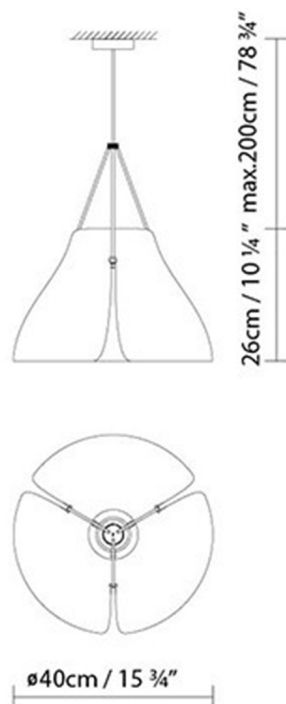
Packaging:

N. packages: 1

Volume m3: 0.03

Dimensions cm: 53x24x24

GINKGO S40

**Light source:**

LED A+ LED 2 x 7W 1080lm 2700K CRI>80 DIM 230V

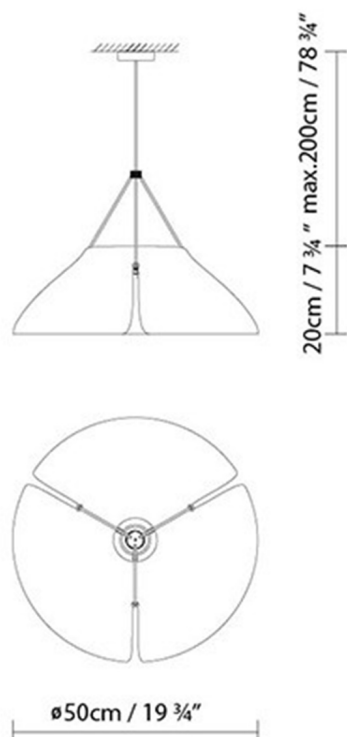
Weight :

Net kg.: 2.2
Gross kg: 4.9

Packaging:

N. packages: 1
Volume m3: 0.147
Dimensions cm: 50x50x59

GINKGO S50

**Light source:**

LED A+ LED 2 x 7W 1080lm 2700K CRI>80 DIM 230V

Weight :

Net kg.: 3.2
Gross kg: 8.2

Packaging:

N. packages: 1
Volume m3: 0.25
Dimensions cm: 60x60x60



GINKGO

e27, Tim Brauns, 2016

Designer
Technical drawing
3D
Instrucciones de montaje