

**Description:**

Outdoor beacon lamp with a rotating LED head. Finishes: satin khaki, satin white and corten steel. Choose from one or two heads. As an accessory, it offers a spike for installation in gardens. Two heights available.

Materials:

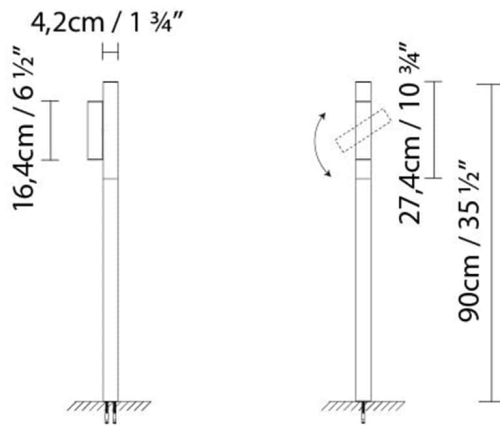
Metal.

Certifications:

IP55

110-230V

TUBE 90-1

**Light source:**

LED A+

LED 6,3W 840lm 350mA 230V
3000K 110-230V

Weight :

Net kg.:

Gross kg: 2.5

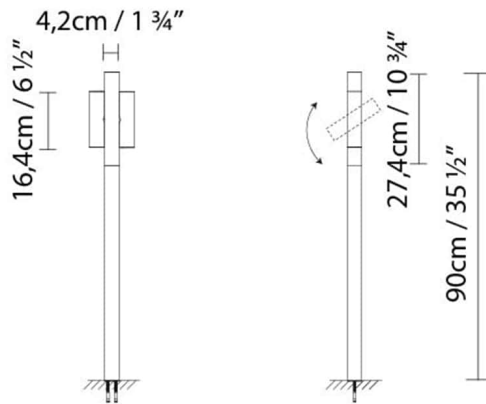
Packaging:

N. packages: 1

Volume m3: 0.016

Dimensions cm: 106x16x10

TUBE 90-2

**Light source:**

LED A+ LED 2 x 6,3W 1680lm 350mA 230V
3000K 110-230V

Weight :

Net kg.:

Gross kg: 3.1

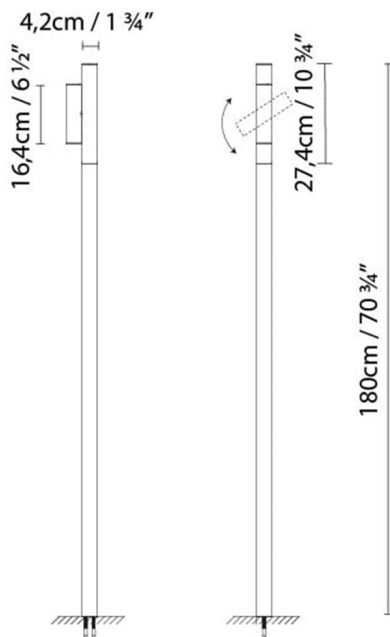
Packaging:

N. packages: 1

Volume m3: 0.016

Dimensions cm: 106x16x10

TUBE 180-1

**Light source:**

LED A+ LED 6,3W 840lm 350mA 230V
3000K 110-230V

Weight :

Net kg.:

Gross kg: 3.8

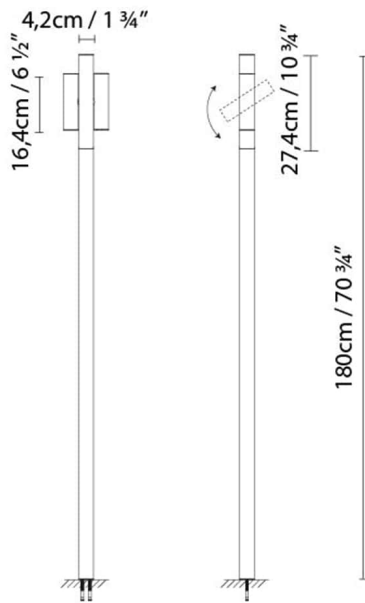
Packaging:

N. packages: 1

Volume m3: 0.09

Dimensions cm: 200x22.5x20

TUBE-180-2

**Light source:****LED** LED 2 x 6,3W 1680lm 350mA 230V
3000K 110-230V**Weight :**

Net kg.:

Gross kg: 4.5

Packaging:

N. packages: 1

Volume m3: 0.09

Dimensions cm: 200x22.5x20

Designer
Fotometría
3D
Technical drawing
Instrucciones de montaje