

**Description:**

Metallic structure wall light, available in two finishes: textured matte white or shiny grey. Fluorescent or LED.

**Materials:**

Inox and zamak.

**Certifications:**

IP20

110-230V

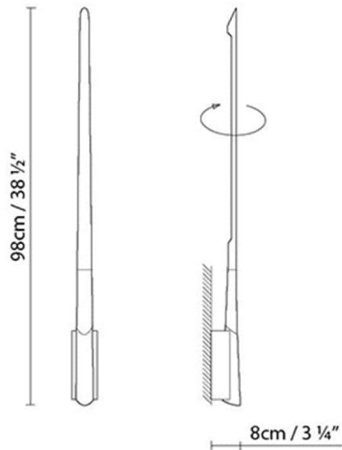
**Finishes:**

Grey (gloss)



White (matte)

## ELIANA W2 LED

**Light source:**

LED A+

LED 7,35W 1000lm 350mA 3000K CRI>80  
110-230V

**Weight :**

Net kg.: 3.0

Gross kg: 3.2

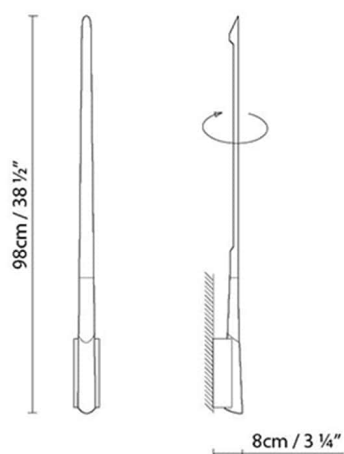
**Packaging:**

N. packages: 1

Volume m3: 0.020

Dimensions cm: 110x13.5x13.5

## ELIANA W2 FLUO

**Light source:**Fluo. 13W  $\varnothing$ 7mm (w4,3)**Weight :**

Net kg.: 3.0

Gross kg: 3.2

**Packaging:**

N. packages: 1

Volume m3: 0.020

Dimensions cm: 110x13.5x13.5

## ELIANA W PICTURE LED

**Light source:**LED 7,35W 1000lm 350mA 3000K CRI>80  
110-230V**Weight :**

Net kg.: 0.8

Gross kg: 1.1

**Packaging:**

N. packages: 1

Volume m3: 0.010

Dimensions cm: 68x19.5x7

## ELIANA W PICTURE FLUO

**Light source:**A Fluo. 13W  $\varnothing$ 7mm (w4,3)**Weight :**

Net kg.: 0.8

Gross kg: 1.1

**Packaging:**

N. packages: 1

Volume m3: 0.010

Dimensions cm: 68x19.5x7

## Collection

Designer  
Technical drawing  
Fotometría