

**Description:**

A collection of projectors made of aluminium, with direct lighting and LED bulbs. It is sold in a recessed ceiling version, which can be simple (Anvil Spot CR Single) or double (Anvil Spot CR Double), in addition to a surface suspension version (Anvil Spot S) and a suspension model with a recessed rosette (Anvil Spot SR). Finishes: matte white or matte black. Optional: without gear.

**Materials:**

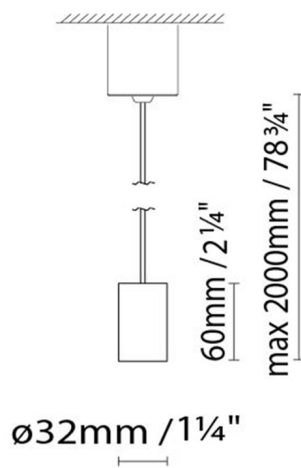
Aluminium.

**Certifications:**

IP20

230V

## ANVIL SPOT S

**Light source:**

LED A

LED 4,5W 546lm 250mA 3000K CRI80  
230V (Lenses 38°, 60°)

**Weight :**

Net kg.:

Gross kg:

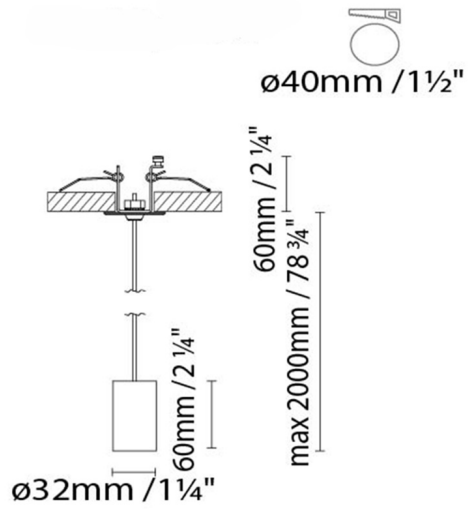
**Packaging:**

N. packages:

Volume m3:

Dimensions cm:

ANVIL SPOT SR



Light source:

**LED** A LED 4,5W 546lm 250mA 3000K CRI80  
230V (Lenses 38°, 60°)

Weight :

Net kg.:

Gross kg:

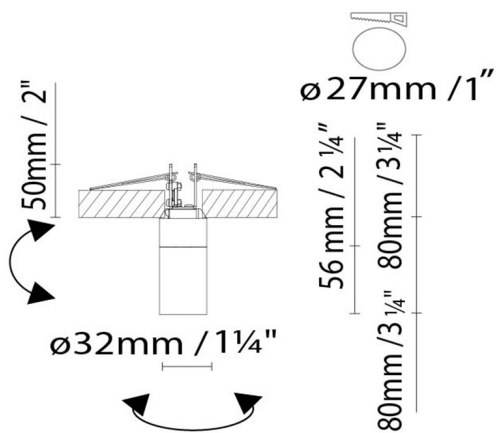
Packaging:

N. packages:

Volume m3:

Dimensions cm:

ANVIL SPOT CR SINGLE



Light source:

**LED** A LED 4,5W 546lm 250mA 3000K CRI80  
230V (Lenses 38°, 60°)

Weight :

Net kg.:

Gross kg:

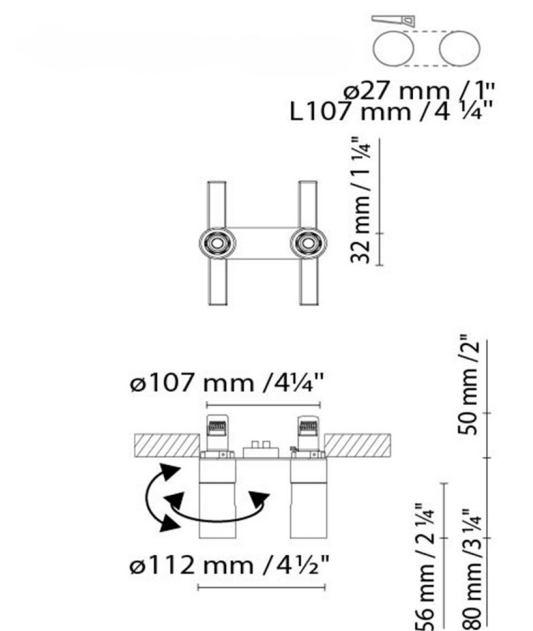
Packaging:

N. packages:

Volume m3:

Dimensions cm:

## ANVIL SPOT CR DOUBLE

**Light source:**

**LED** ▶ LED 2 x 4,5W 1100lm 250mA 3000K  
CRI80 230V (Lenses 38°, 60°)

**Weight :**

Net kg.:

Gross kg:

**Packaging:**

N. packages:

Volume m3:

Dimensions cm:

## Collection



Designer  
Technical drawing  
Instrucciones de montaje