



Description:

Trimless lighting system featuring an extruded aluminium profile specifically designed to achieve cornice effects and trimless backlit perimeter spaces, with the capacity to install hidden projectors, or both. For spot lighting, the system allows for the installation of the Deep Cove Spot projector at any point along the profile. Optimum lighting, completely invisible from any angle. Features multiple applications. Easy installation. Deep Cove System is custom-made according to the customer's specifications. Finished in natural aluminium, for integration into the architecture's finish. Inquire about other finishes.

Materials:
Aluminio.

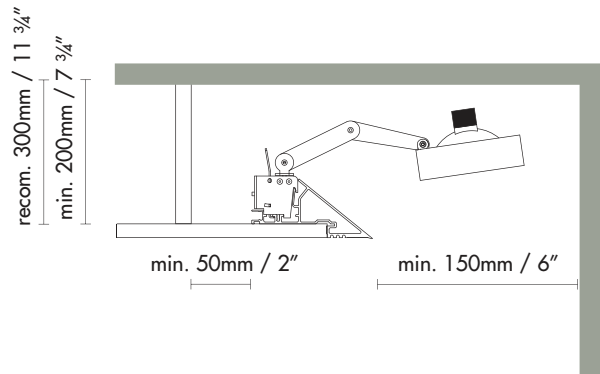
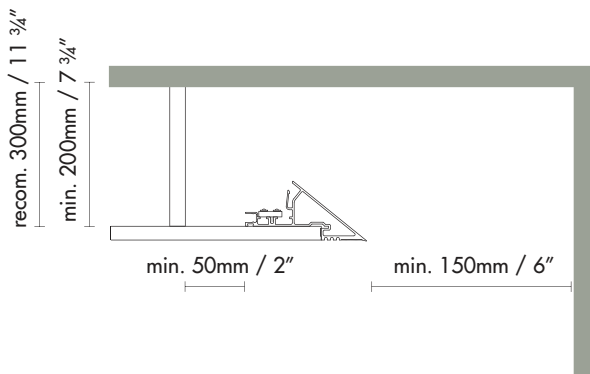
Certifications:
CE ENEC DIM

Finishes:
Aluminio.

IP20
Clase I
230V

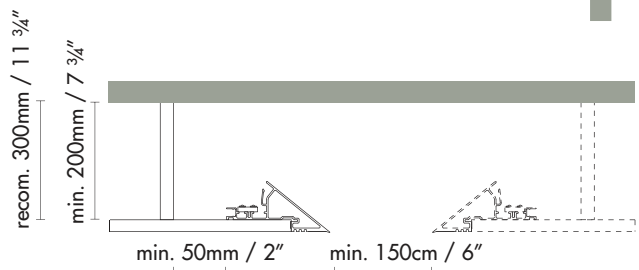
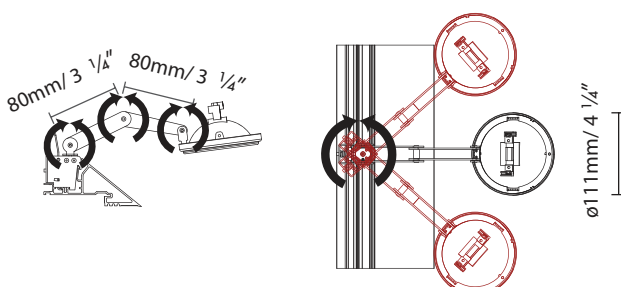
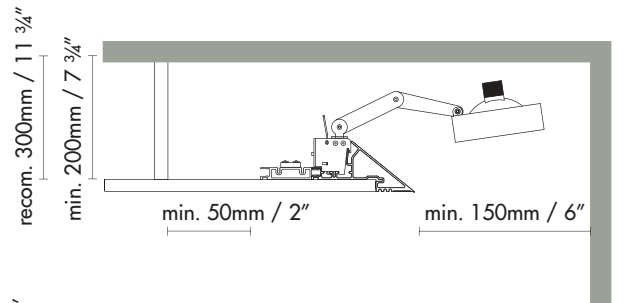
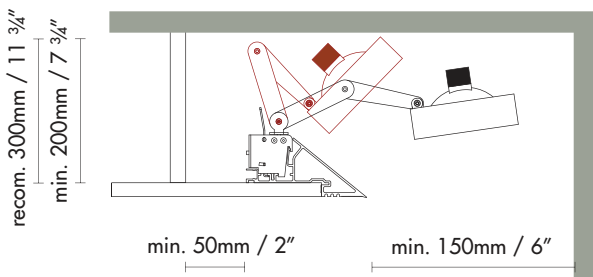
Deep Cove System LED Line

Deep Cove System Spot

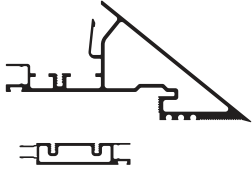


Deep Cove System Spot (adjustable)

Deep Cove System LED Line + Spot



Deep Cove System Profiles



CODE:

852100 Deep Cove System Profiles L max. 6m

852110 Deep Cove System LED / Fluo Holder Profile L max. 6m

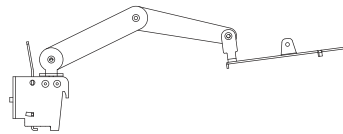
Deep Cove System Light Sources

Deep Cove System Spot

CODE:

853430 Halo. QR-111 max. 100W (G53)

853440 Halo. Met. CDM-R 111 70W (GX8.5)



Deep Cove LED Line

LED Line (LED included)



Accessories Deep Cove System Spot



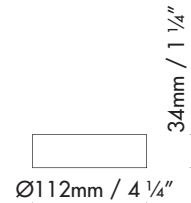
CODE:

852422 Deep Decorative Ring QR-111



CODE:

852423 Deep Decorative Ring QR-111
+ Honeycomb Grille Mesh



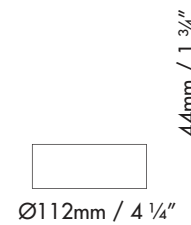
CODE:

852422 Deep Decorative Ring CDMR-111

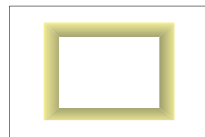
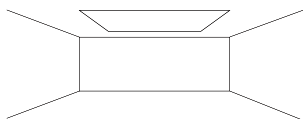


CODE:

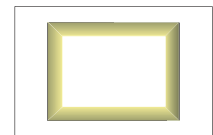
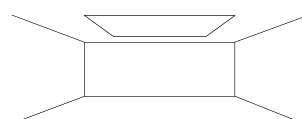
852425 Deep Decorative Ring CDMR-111
+ Honeycomb Grille Mesh



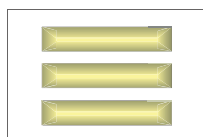
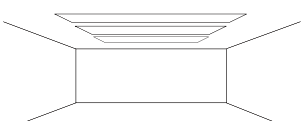
Indirect light system



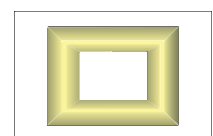
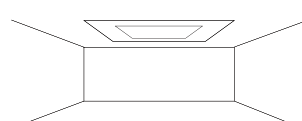
Direct light system



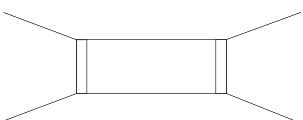
Multiple direct light system



Double light system



Indirect light system



Indirect light system

