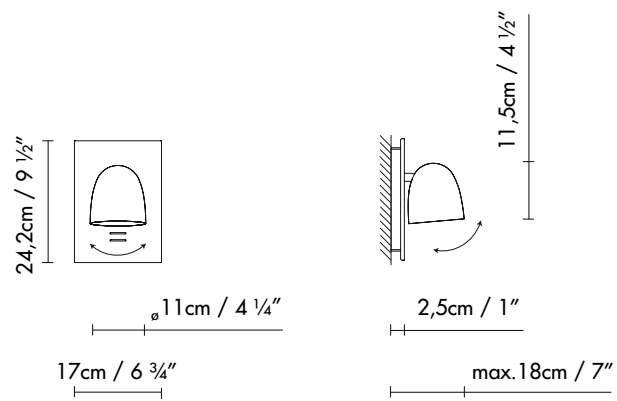


SPEERS W (2L)



SPEERS W (1L)

