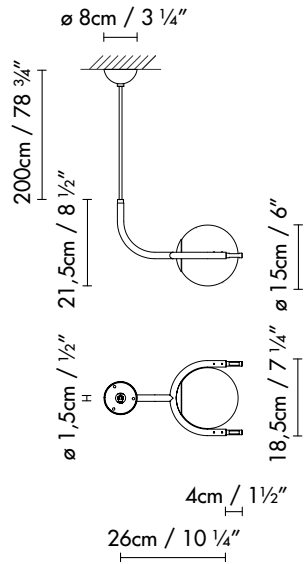
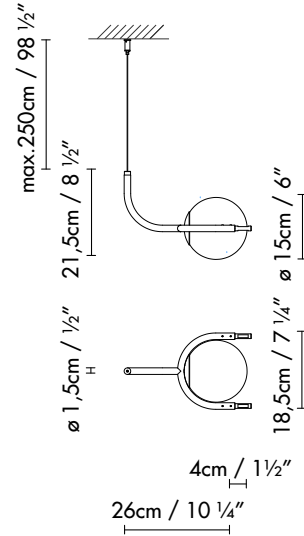


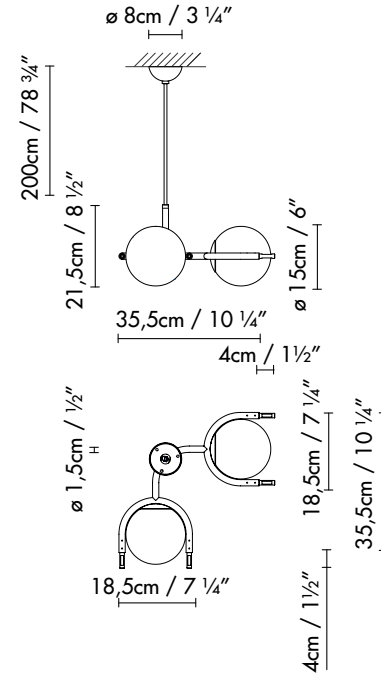
S CURRENT SUPPLY



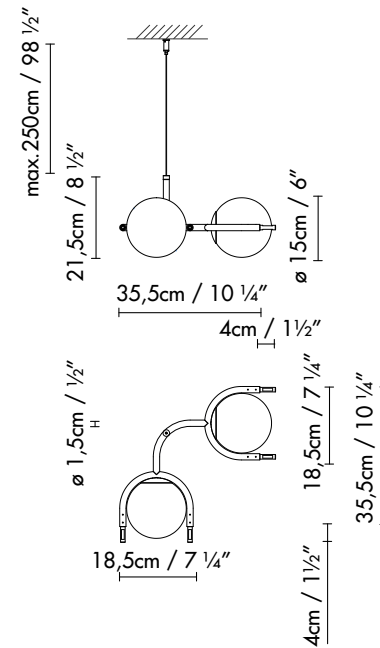
S SINGLE SUSPENSION



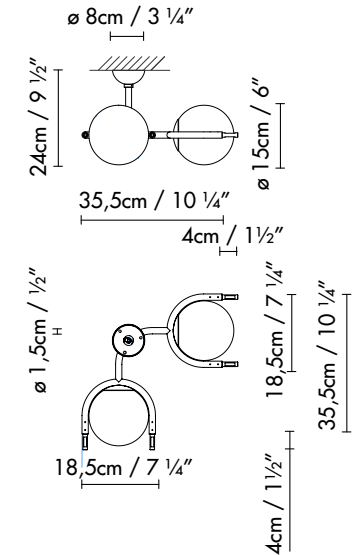
S 90°H CURRENT SUPPLY



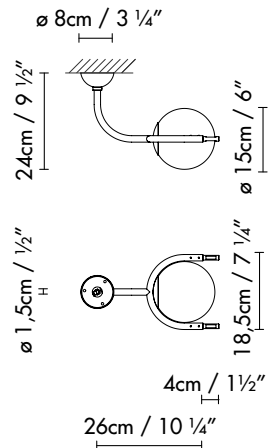
S 90°H SINGLE SUSPENSION



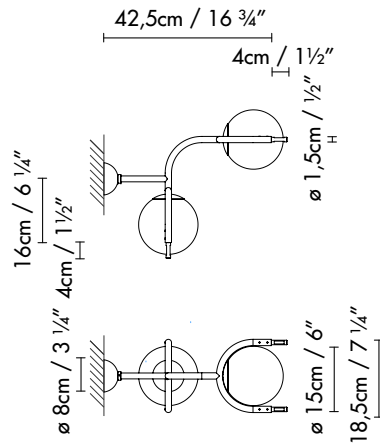
C/W 90°H CURRENT SUPPLY



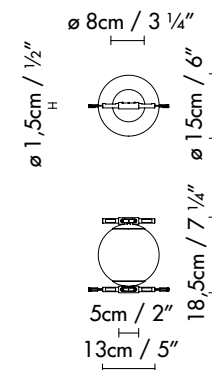
C/W CURRENT SUPPLY



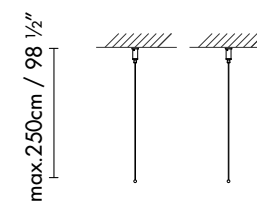
C/W 90°V CURRENT SUPPLY



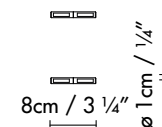
LIGHT MODULE



SUSPENSION CABLE



LINEAR UNION JOIN



LINEAR UNION 30/50/80/110

