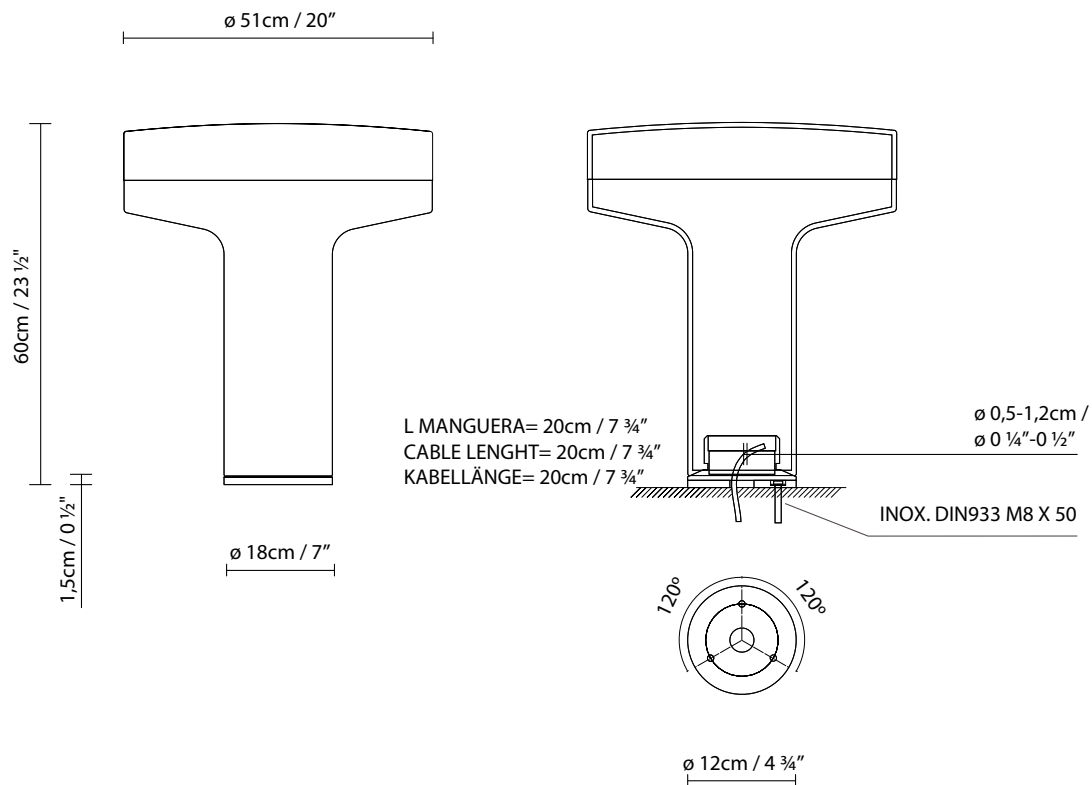


BOLETUS OUTSIDE A



BOLETUS OUTSIDE B

